

Programming Guide
Agilent Technologies
Series 66lxxA
MPS Power Modules



Agilent Technologies

Safety Guidelines

The beginning of the *Users Guide for GPIB Power Modules Series 66lxxA* has a Safety Summary page. Be sure you are familiar with the information on that page before programming the power module for operation from a controller.

Printing History

The current edition of this guide is indicated below. Reprints of this guide containing minor corrections and updates may have the same printing date. New editions are identified by a new printing date and, in some cases, by a new part number. A new edition incorporates all new or corrected material since the previous edition. Changes to the guide occurring between editions are covered by change sheets shipped with the guide.

Edition 1..... October, 1991
Edition 2..... February, 1992
Update..... August, 1992
Update..... February, 1993
Edition 3..... September, 1997
Update..... April, 2000

© Copyright 1991,1992, 1997 Agilent Technologies, Inc.

This document contains proprietary information protected by copyright. All rights are reserved. No part of this document may be photocopied, reproduced, or translated into another language without the prior consent of Agilent Technologies. The information contained in this document is subject to change without notice.

Contents

1.	Introduction	
	About this Guide	7
	Documentation Summary	7
	External References.....	7
	VXI <i>Plug&Play</i> Power Products Instrument Drivers	8
2.	Introduction to Programming	
	GPIB Capabilities of the Power Module	9
	Module GPIB Address	9
	Introduction to SCPI.....	9
	Conventions.....	9
	Types of SCPI Messages	10
	Types of SCPI Commands	10
	Structure of a SCPI Message	10
	The Message Unit.....	10
	Combining Message Units.....	10
	Parts of a SCPI Message	11
	Headers.....	11
	Query Indicator.....	12
	Message Unit Separator.....	12
	Root Specifier.....	12
	Message Terminator	12
	Traversing the Command Tree	13
	Active Header Path.....	13
	The Effect of Optional Headers.....	13
	Moving Among Subsystems.....	14
	Including Common Commands.....	14
	SCPI Data Formats	14
	Numerical Data.....	14
	Boolean Data	15
	String Data.....	15
	Character Data	15
	System Considerations	16
	Assigning the Address in Programs.....	16
	DOS Drivers	16
	Types of Drivers	16
	Agilent 82335A Driver.....	16
	National Instruments GPIB Driver	16
	Error Handling.....	17
	Agilent BASIC for Series 300	17
	Translation Among Languages.....	17
	General Setup Information for GWBASIC	17
	Using the Agilent 82335A/82990A/16062B GPIB Command Library	17
	Using the National Instruments GPIB Interface	18
	General Setup Information for Microsoft C	18
	Using the Agilent 82335A/82990A/16062B GPIB Command Library	18
	Using the National Instruments GPIB Interface	18
	Sending Commands to and Receiving Data from the Module.....	19
3.	Language Dictionary	
	Introduction	23
	Parameters	23

Related Commands.....	23
Order of Presentation	23
Common Commands.....	23
Subsystem Commands.....	23
Description of Common Commands	24
*CLS.....	24
*ESE.....	25
*ESR?.....	25
*IDN?.....	26
*OPC.....	26
*OPC?.....	26
*OPT?.....	27
*PSC.....	27
*RCL.....	28
*RST.....	28
*SAV.....	29
*SRE.....	29
*STB?.....	30
*TRG.....	31
*TST?.....	31
*WAI.....	31
Description of Subsystem Commands.....	31
ABOR.....	31
Calibration Subsystem.....	32
CAL:AUTO.....	32
CAL:CURR.....	33
CAL:CURR:LEV.....	33
CAL:PASS.....	33
CAL:SAV.....	34
CAL:STAT.....	34
CAL:VOLT.....	34
CAL:VOLT:LEV.....	34
CAL:VOLT:PROT.....	35
Current Subsystem.....	35
CURR.....	35
CURR:MODE.....	35
CURR:PROT:STAT.....	36
CURR:TRIG.....	36
DISP:STAT.....	36
INIT.....	36
INIT:CONT.....	36
List Subsystem.....	37
LIST:COUN.....	37
LIST:CURR.....	37
LIST:CURR:POIN?.....	38
LIST:DWEL.....	38
LIST:DWEL:POIN?.....	38
LIST:STEP.....	38
LIST:VOLT.....	39
LIST:VOLT:POIN?.....	39
MEAS:CURR?.....	39
MEAS:VOLT?.....	39
Output Subsystem.....	39
OUTP.....	39
OUTP:DFI.....	40

OUTP:DFI:LINK	40
OUTP:DFI:SOUR	40
OUTP:PROT:CLE	40
OUTP:PROT:DEL	41
OUTP:REL	41
OUTP:REL:POL	41
OUTP:TTLT	42
OUTP:TTLT:LINK	42
OUTP:TTLT:SOUR	42
Status Subsystem	42
STAT:OPER?	43
STAT:OPER:COND?	43
STAT:OPER:ENAB	43
STAT:OPER:NTR	44
STAT:OPER:PTR	44
STAT:PRES	44
STAT:QUES?	45
STAT:QUES:COND?	45
STAT:QUES:ENAB	45
STAT:QUES:NTR	45
STAT:QUES:PTR	45
SYST:ERR?	46
SYST:VERS?	46
Trigger Subsystem	46
TRIG	46
TRIG:DEL	47
TRIG:LINK	47
TRIG:SOUR	47
Voltage Subsystem	48
VOLT	48
VOLT:MODE	48
VOLT:PROT	48
VOLT:SENS:SOUR?	49
VOLT:TRIG	49
Link Parameter List	50
Power Module Programming Parameters	50

4. Status Reporting

Power Module Status Structure	51
Status Register Bit Configuration	51
Operation Status Group	51
Register Functions	51
Register Commands	51
Questionable Status Group	52
Register Functions	52
Register Commands	52
Standard Event Status Group	53
Register Functions	53
Register Commands	53
Status Byte Register	54
The RQS Bit	54
The MSS Bit	54
Determining the Cause of a Service Interrupt	54
Output Queue	54

Location of Event Handles	54
Initial Conditions at Power On	55
Status Registers	55
The PON Bit	55
Examples	55
Servicing an Operation Status Event	55
Adding More Operation Events	56
Servicing Questionable Status Events	56
Monitoring Both Phases of a Status Transition	56

5. Synchronizing Power Module Output Changes

Introduction	57
Trigger Subsystem.....	57
Model of Fixed-Mode Trigger Operation	57
Idle State.....	58
Initiated State.....	58
Delaying State	58
Output Change State.....	59
Model of List-Mode Trigger Operation.....	59
Output Change State.....	59
Dwelling State	59
The INIT:CONT Function.....	59
Trigger Status and Event Signals.....	59
Trigger In and Trigger Out	60
List Subsystem.....	61
Basic Steps of List Sequencing	61
Programming the List Output Levels.....	61
Programming List Intervals	61
Automatically Repeating a List	62
Triggering a List.....	62
Dwell-Paced Lists.....	62
Trigger-Paced Lists	62
DFI (Discrete Fault Indicator) Subsystem.....	64
RI (Remote Inhibit) Subsystem	64
SCPI Command Completion	64

6. Error Messages

Power Module Hardware Error Messages	65
System Error Messages	65

A. SCPI Conformance Information 67

B. Application Programs..... 69

Index 111

Introduction

About This Guide

You will find the following information in the rest of this guide:

Chapter 2	Introduction to SCPI messages structure, syntax, and data formats. Examples of SCPI programs.
Chapter 3	Dictionary of SCPI commands. Table of module programming parameters.
Chapter 4	Description of the status registers.
Chapter 5	Description of synchronizing outputs with triggers and lists.
Chapter 6	Error messages.
Appendix A	SCPI conformance information.
Appendix B	Application programs that illustrate features of the power module.

Note Instructions for the Agilent 60001A MPS Keyboard are in the User's Guide supplied with each module.

Documentation Summary

The following related documents shipped with the system have information helpful to programming the power module:

- *Mainframe User's Guide*. Information on the GPIB address switch, trigger connections, fault (FLT) and remote inhibit (INH) connections.
- *Module User's Guide*. Includes specifications and supplemental characteristics, use of the module configuration switch, device related error messages, calibration procedures and use of the MPS keyboard.

External References

SCPI References

The following documents will assist you with programming in SCPI:

- *Beginner's Guide to SCPI*. Part No. H2325-90001. Highly recommended for anyone who has not had previous experience programming with SCPI.
- *Tutorial Description of the GPIB*. Part No. 5952-0156. Highly recommended for those not familiar with the IEEE 488.1 and 488.2 standards.

To obtain a copy of the above documents, contact your local Agilent Technologies Sales and Support Office.

GPIB References

The most important GPIB documents are your controller programming manuals - GW BASIC, GPIB Command Library for MS DOS, etc. Refer to these for all non-SCPI commands (for example: Local Lockout).

The following are two formal documents concerning the GPIB interface:

- ²*ANSI/IEEE Std. 488.1-1987 IEEE Standard Digital Interface for Programmable Instrumentation*. Defines the technical details of the GPIB interface. While much of the information is beyond the need of most programmers, it can serve to clarify terms used in this guide and in related documents.
- ²*ANSI/IEEE Std. 488.2-1987 IEEE Standard Codes, Formats, Protocols, and Common Commands*. Recommended as a reference only if you intend to do fairly sophisticated programming. Helpful for finding precise definitions of certain types of SCPI message formats, data types, or common commands.

The above two documents are available from the IEEE (Institute of Electrical and Electronics Engineers), 345 East 47th Street, New York, NY 10017, USA.

VXIplug&play Power Products Instrument Drivers

VXIplug&play instrument drivers for Microsoft Windows 95 and Windows NT are now available on the Web at <http://www.agilent.com/find/drivers>. These instrument drivers provide a high-level programming interface to your Agilent Technologies electronic load. VXIplug&play instrument drivers are an alternative to programming your instrument with SCPI command strings. Because the instrument driver's function calls work together on top of the VISA I/O library, a single instrument driver can be used with multiple application environments.

Supported Applications

- Agilent VEE
- Microsoft Visual BASIC
- Microsoft Visual C/C++
- Borland C/C++
- National Instruments LabVIEW
- National Instruments LabWindows/CVI

System Requirements

The VXIplug&play instrument driver complies with the following:

- Microsoft Windows 95
- Microsoft Windows NT 4.0
- HP VISA revision F.01.02
- National Instruments VISA 1.1

Downloading and Installing the Driver

NOTE: Before installing the VXIplug&play instrument driver, make sure that you have one of the supported applications installed and running on your computer.

1. Access Agilent Technologies Web site at <http://www.agilent.com/find/drivers>.
2. Select the instrument for which you need the driver.
3. Click on the driver, either Windows 95 or Windows NT, and download the executable file to your PC.
4. Locate the file that you downloaded from the Web. From the **Start** menu select **Run** <path>:\agxxxx.exe - where <path> is the directory path where the file is located, and agxxxx is the instrument driver that you downloaded .
5. Follow the directions on the screen to install the software. The default installation selections will work in most cases. The readme.txt file contains product updates or corrections that are not documented in the on-line help. If you decide to install this file, use any text editor to open and read it.
6. To use the VXIplug&play instrument driver, follow the directions in the VXIplug&play online help for your specific driver under "Introduction to Programming".

Accessing Online Help

A comprehensive online programming reference is provided with the driver. It describes how to get started using the instrument driver with Agilent VEE, LabVIEW, and LabWindows. It includes complete descriptions of all function calls as well as example programs in C/C++ and Visual BASIC.

- To access the online help when you have chosen the default **Vxipnp** start folder, click on the **Start** button and select **Programs | Vxipnp | Agxxxx Help (32-bit)**.
- where Agxxxx is the instrument driver.

Introduction To Programming

GPIB Capabilities Of The Power Module

All power module functions except for setting the GPIB address are programmable over the GPIB. The IEEE 488.1 capabilities of the power module are listed in the *User's Guide*.

Module GPIB Address

The power module operates from a primary GPIB address that is set by a switch on the mainframe. The power module's secondary GPIB address is determined by its slot position within the mainframe. See the mainframe *Installation Guide* for details.

Introduction To SCPI

SCPI (Standard Commands for Programmable Instruments) is a programming language for controlling instrument functions over the GPIB (IEEE 488) instrument bus. SCPI is layered on top of the hardware-portion of IEEE 488.2. The same SCPI commands and parameters control the same functions in different classes of instruments. For example, you would use the same DISPlay command to control the power module display state and the display state of a SCPI-compatible multimeter.

Conventions

The following conventions are used throughout this chapter:

Angle brackets	< >	Items within angle brackets are parameter abbreviations. For example, <NR1> indicates a specific form of numerical data.
Vertical bar		Vertical bars separate one of two or more alternative parameters. For example, 0 OFF indicates that entering either "0" or "OFF" performs the same function.
Square Brackets	[]	Items within square brackets are optional. The representation [SOURCE]:LIST means that SOURCE may be omitted.
Braces	{ }	Braces indicate parameters that may be repeated zero or more times. It is used especially for showing arrays. The notation <A>{} shows that parameter "A" must be entered, while parameter "B" may be omitted or may be entered one or more times.
Boldface font		Boldface font is used to emphasize syntax in command definitions. TRIGger:DELay <NRf> shows a command definition.
Computer font		Computer font is used to show program lines in text. <code>TRIGger: DELay .5</code> shows a program line.

Types of SCPI Messages

There are two types of SCPI messages, program and response.

- A *program message* consists of one or more properly formatted SCPI commands sent from the controller to the power module. The message, which may be sent at any time, requests the power module to perform some action.
- A *response message* consists of data in a specific SCPI format sent from the power module to the controller. The power module sends the message only when commanded by a special program message called a "query."

Types of SCPI Commands

SCPI has two types of commands, common and subsystem. *Common* commands generally are not related to specific operation but to controlling overall power module functions, such as reset, status, and synchronization. All common commands consist of a three-letter mnemonic preceded by an asterisk:

```
*RST *IDN? *SRE 8
```

Subsystem commands perform specific power module functions. They are organized into an inverted tree structure with the "root" at the top (see Figure 3-2). Some are single commands while others are grouped within specific subsystems.

Note If you have the optional Agilent 66001A MPS Keyboard, you may want to use it as a quick introduction to message structure. See "Appendix A".

Structure of a SCPI Message

SCPI messages consist of one or more message units ending in a message terminator. The terminator is not part of the syntax, but implicit in the way your programming language indicates the end of a line (such as a newline or end-of-line character).

The Message Unit

The simplest SCPI command is a single message unit consisting of a command header (or keyword) followed by a message terminator.

```
ABOR<newline>  
VOLT?<newline>
```

The message unit may include a parameter after the header. The parameter usually is numeric, but it can be a string:

```
VOLT 20<newline>  
VOLT MAX<newline>
```

Combining Message Units

The following command message is briefly described here, with details in subsequent paragraphs.

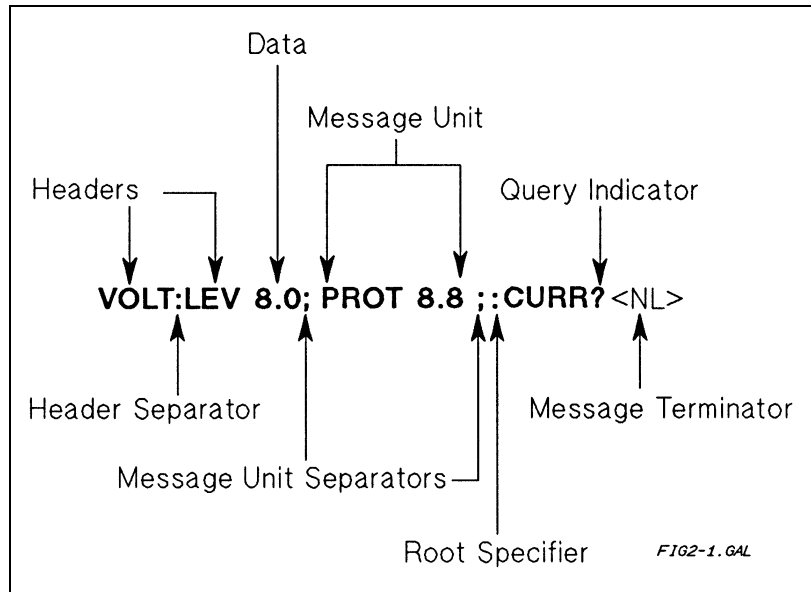


Figure 2-1. Command Message Structure

The basic parts of the above message are:

Message Component

Example

Headers

VOLT LEV PROT CURR

Header Separator

The *colon* in **VOLT:LEV**

Data

8.0 8.8

Data Separator

The *space* in **VOLT 8.0** and **PROT 8.8**

Message Units

VOLT:LEV 8.0 PROT 8.8 CURR?

Message Unit Separator

The *semicolons* in **VOLT: LEV 8.0;** and **PROT 8.8;**

Root Specifier

The *colon* in **PROT 8.8 : CURR?**

Query Indicator

The *question mark* in **CURR?**

Message Terminator

The **<NL>** (newline) indicator. Terminators are not part of the SCPI syntax.

Parts of a SCPI Message

Headers

Headers are instructions recognized by the power module interface. Headers (which are sometimes known as "keywords") may be either in the long form or the short form.

Long Form

The header is completely spelled out, such as VOLTAGE, STATUS, and DELAY.

Short Form

The header has only the first three or four letters, such as VOLT, STAT, and DEL.

Short form headers are constructed according to the following rules:

- If the header consists of *four or fewer* letters, use all the letters. (DFI LIST)
- If the header consists of *five or more* letters and the fourth letter *is not* a vowel (a,e,i,o,u), use the first four letters. (CURRENT STATus)
- If the header consists of *five or more* letters and the fourth letter *is* a vowel (a,e,i,o,u), use the first three letters. (DELay RELay)

You must follow the above rules when entering headers. Creating an arbitrary form, such as POLAR for POLarity, will result in an error.

The SCPI interface is *not* sensitive to case. It will recognize any case mixture, such as **TRIGGER**, **Trigger**, **TRIGger**, **triGger**.

Note Shortform headers result in faster program execution.

Header Convention. In this manual, headers are emphasized with **boldface** type. The proper short form is shown in upper-case letters, such as **DELay**.

Header Separator. If a command has more than one header, you must separate them with a colon (**VOLT: PROT OUTPut:RELay:POLarity**).

Optional Headers. The use of some headers is optional. Optional headers are shown in brackets, such as **OUTPut[STATE] ON**. However, if you combine two or more message units into a compound message, you may need to enter the optional header. This is explained under "Traversing the Command Tree."

Note The optional Agilent 66001A MPS Keyboard does not display optional headers.

Query Indicator

Following a header with a question mark turns it into a query (**VOLT?**, **VOLT:PROT?**). If a query contains a parameter, place the query indicator at the end of the last header (**VOLT: PROT? MAX**).

Message Unit Separator

When two or more message units are combined into a compound message, separate the units with a semicolon (**STATus:OPERation?;QUESTIONable?**). You can combine message units only at the current path of the command tree (see "Traversing the Command Tree").

Root Specifier

When it precedes the first header of a message unit, the colon becomes the root specifier. It indicates that the parser is at the root or top node of the command tree. Note the difference between root specifiers and header separators in the following examples:

OUTP:PROT:DEL .1	All colons are header separators.
:OUTP:PROT:DEL .1	Only the first colon is a root specifier.
OUTP: PROT: DEL . 1; :VOLT 12.5	Only the third colon is a root specifier.

Message Terminator

A terminator informs SCPI that it has reached the end of a message. Three permitted messages terminators are:

- newline (<NL>), which is ASCII decimal 10 or hex 0A.
- end or identify (<END>)
- both of the above (<NL><END>).

In the examples of this guide, there is an assumed message terminator at the end of each message. If the terminator needs to be shown, it is indicated as <NL> regardless of the actual terminator character.

Traversing the Command Tree

Figure 2-2 shows a portion of the subsystem command tree (you can see the complete tree in Figure 3-2). Note the location of the *ROOT* node at the top of the tree. The SCPI interface is at this location when:

- The power module is powered on.
- A device clear (DCL) is sent to the power module.
- The interface encounters a message terminator.
- The interface encounters a root specifier.

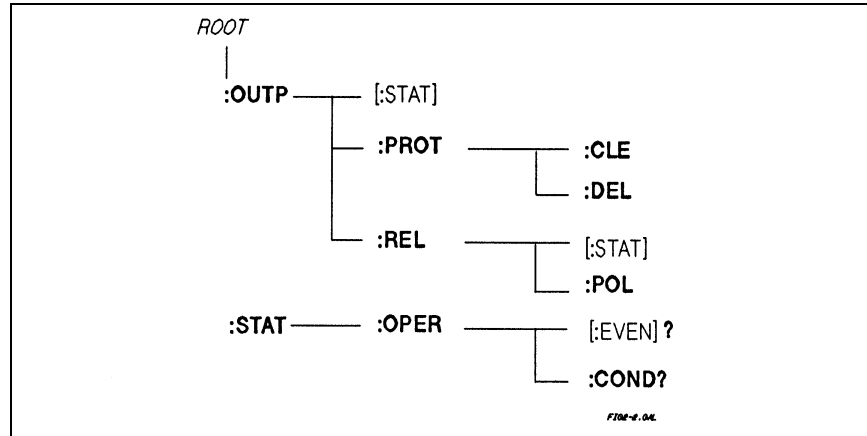


Figure 2-2. Partial Command Tree

Active Header Path

In order to properly traverse the command tree, you must understand the concept of the active header path. When the power module is turned on (or under any of the other conditions listed above), the active path is at the root. That means the interface is ready to accept any command at the root level, such as **OUTPUT** or **STATUS** in Figure 2-2. Note that you do not have to proceed either command with a colon; there is an implied colon in front of every root-level command.

If you enter **OUTPUT**, the active header path moves one colon to the right. The interface is now ready to accept **:STATE**, **:PROTECTION**, or **:RELAY** as the next header. Note that you must include the colon, because it is required between headers.

If you now enter **:PROTECTION**, the active path again moves one colon to the right. The interface is now ready to accept either **:CLEAR** or **:DELAY** as the next header.

If you now enter **:CLEAR**, you have reached the end of the command string. The active header path remains at **:CLEAR**. If you wished, you could have entered **:CLEAR; DELAY 20** and it would be accepted. The entire message would be **OUTPUT:PROTECTION:CLEAR;DELAY 20**. The message terminator after **DELAY 20** returns the path to the root.

The Effect of Optional Headers

If a command includes optional headers, the interface assumes they are there. For example, if you enter **OUTPUT OFF**, the interface recognizes it as **OUTPUT: STATE OFF** (see Figure 2-2). This returns the active path to the root (**:OUTPUT**). But if you enter **OUTPUT: STATE OFF**, then the active path remains at **:STATE**. This allows you to send **OUTPUT: STATE OFF; PROTECTION: CLEAR** in one message. If you tried to send **OUTPUT OFF;PROTECTION:CLEAR**, the header path would return to **:OUTPUT** instead of **:PROTECTION**.

The optional header **SOURCE** precedes the current, list, and voltage subsystems (see Figure 3-2). This effectively makes **:CURRENT**, **:LIST**, and **:VOLTAGE** root-level commands.

Note The optional Agilent 66001 Keyboard does not display optional headers.

Moving Among Subsystems

In order to combine commands from different subsystems, you need to be able to restore the active path to the root. You do this with the root specifier (:). For example, you could clear the output protection and check the status of the Operation Condition register as follows (see Figure 2-2):

```
OUTPUT:PROTECTION:CLEAR
STATUS:OPERATION:CONDITION?
```

By using the root specifier, you could do the same thing in one message:

```
OUTPUT:PROTECTION:CLEAR::STATUS:OPERATION:CONDITION?
```

Note The SCPI parser traverses the command tree as described in Appendix A of the IEEE 488.2 standard. The "Enhanced Tree Walking Implementation" given in that appendix is not implemented in the power module.

The following message shows how to combine commands from different subsystems as well as within the same subsystem (see Figure 3-2):

```
VOLTAGE:LEVEL 7;PROTECTION 8::CURRENT:LEVEL 3;MODE LIST
```

Note the use of the optional header **LEVEL** to maintain the correct path within the voltage and current subsystems and the use of the root specifier to move between subsystems.

Including Common Commands

You can combine common commands with system commands in the same message. Treat the common command as a message unit by separating it with the message unit separator. Common commands *do not affect the active header path*; you may insert them anywhere in the message.

```
VOLT:TRIG 7.5;INIT;*TRG
OUTP OFF;*RCL 2;OUTP ON
```

SCPI Data Formats

All data programmed to or returned from the power module is ASCII. The data may be *numerical* or *character string*.

Numerical Data

Table 2-1 and Table 2-2 summarize the numerical formats.

Table 2-1. Numerical Data Formats

Symbol	Data Form
	Talking Formats
<NR1>	Digits with an implied decimal point assumed at the right of the least-significant digit. Examples: 273 0273
<NR2>	Digits with an explicit decimal point. Example: 273. .0273
<NR3>	Digits with an explicit decimal point and an exponent. Example: 2.73E+2 273.0E-2
	Listening Formats
<NRf>	Extended format that includes <NR1>, <NR2> and <NR3>. Examples: 273 273. 2.73E2
<NRf+>	Expanded decimal format that includes <NRf> and MIN MAX. Examples: 273 273. 2.73E2 MAX. MIN and MAX are the minimum and maximum limit values that are implicit in the range specification for the parameter.

Table 2-2. Suffixes and Multipliers

Class	Suffix	Unit	Unit with Multiplier
Current	A	Ampere	MA (milliampere)
Amplitude	V	Volt	MV (millivolt)
Time	S	second	MS (millisecond)
Common Multipliers			
	1E3	K	kilo
	1E-3	M	milli
	1E-6	U	micro

Boolean Data

Either form **1 | 0** or **ON | OFF** may be sent with commands. Queries always return 1 or 0.

OUTPut OFF
CURRent:PROTection 1

String Data

Strings are used for both program (listening) and response (talking) data. String content is limited to the characters required for the link command parameters (see "Chapter 3 - Language Dictionary").

Note The IEEE 488.2 format for a string parameter requires that the string be enclosed within either single (' ') or double (" ") quotes. Be certain that your program statements comply with this requirement.

Character Data

Character strings returned by query statements may take either of the following forms, depending on the length of the returned string:

<CRD> Character Response Data. Permits the return of character strings.
<AARD> Arbitrary ASCII Response Data. Permits the return of undelimited 7-bit ASCII. This data type has an implied message terminator.

System Considerations

The remainder of this chapter addresses some system issues concerning programming. These are power module addressing and the use of the following types of GPIB system interfaces:

1. HP Vectra PC controller with Agilent 82335A GPIB Interface Command Library
2. IBM PC controller with National Instruments GPIB-PCII Interface/Handler
3. Agilent controller with Agilent BASIC Language System

Note Some specific application programs are given in Appendix B.

Assigning the GPIB Address in Programs

The power module address cannot be set remotely. It is determined by the position of the mainframe address switch and the position of power module (slot position) within the mainframe. (See the *Mainframe Users Guide* for details.)

The following examples assume that the GPIB select code is 7, the mainframe interface address is 6, and that the power module address will be assigned to the variable *PM3* (power module in the third mainframe slot).

```
1060 ! Power Module installed in Primary Mainframe
1070 PM3=70602          ! Agilent 82335A Interface
1070 ASSIGN @PM3TO 70602      ! Agilent BASIC Interface
1080 !
1080 ! Power Module installed in Auxiliary Mainframe
1090 PM=70610           ! Agilent 82335A Interface
1090 ASSIGN @PM3 TO 70610 ! Agilent BASIC Interface
```

For systems using the National Instruments DOS driver, the address is specified in the software configuration program (IBCONFIG.EXE) and assigned a symbolic name. The address then is referenced only by this name within the application program (see the National Instruments GPIB documentation).

DOS Drivers

Types of Drivers

The Agilent 82335A and National Instruments GPIB are two popular DOS drivers. Each is briefly described here. See the software documentation supplied with the driver for more details.

Agilent 82335A Driver. For GW-BASIC programming, the GPIB library is implemented as a series of subroutine calls. To access these subroutines, your application program must include the header file SETUP.BAS, which is part of the DOS driver software.

SETUP.BAS starts at program line 5 and can run up to line 999. Your application programs must begin at line 1000. SETUP.BAS has built-in error checking routines that provide a method to check for GPIB errors during program execution. You can use the error-trapping code in these routines or write your own code using the same variables as used by SETUP.BAS.

National Instruments GPIB Driver. Your program must include the National Instruments header file DECL.BAS. This contains the initialization code for the interface. Prior to running any applications programs, you must set up the interface with the configuration program (IBCONF.EXE).

Your application program will not include the power module symbolic name and GPIB address. These must be specified during configuration (when you run `IBCONF.EXE`). Note that the primary address range is from 0 to 30 but any secondary address must be specified in the address range of 96 to 126. The power supply expects a message termination on EOI or line feed, so set *EOI w/last byte of Write*. It is also recommended that you set *Disable Auto Serial Polling*.

All function calls return the status word *IBSTA%*, which contains a bit (ERR) that is set if the call results in an error. When ERR is set, an appropriate code is placed in variable *IBERR %*. Be sure to check *IBSTA %*, after every function call. If it is not equal to zero, branch to an error handler that reads *IBERR%* to extract the specific error.

Error Handling

If there is no error-handling code in your program, undetected errors can cause unpredictable results. This includes "hanging up" the controller and forcing you to reset the system. Both of the above DOS drivers have routines for detecting program execution errors.

Important Use error detection after every call to a subroutine.

Agilent BASIC Controllers

The Agilent BASIC Programming Language provides access to GPIB functions at the operating system level. This makes it unnecessary to have the header files required in front of DOS applications programs. Also, you do not have to be concerned about controller "hangups" as long as your program includes a timeout statement. Because the power module can be programmed to generate SRQ on errors, your program can use an SRQ service routine for decoding detected errors. The detectable errors are listed in "Chapter 5 - Error Messages".

TRANSLATION AMONG LANGUAGES

This section explains how to translate between Agilent BASIC and several other popular programming environments. For explicit information on initializing interface cards or syntax of language, see the documentation that accompanies your GPIB interface product.

General Setup Information for GWBASIC

Using the Agilent 82335A/82990A/61062B GPIB Command Library

- When CALLs are made to the GPIB Command Library, all parameters are passed as variables.
- The address of a module is a real number, determined in the same manner as in Agilent BASIC. For example, the address 70501 means 7 is the select code of the GPIB interface, 05 is the GPIB address of the mainframe, 01 is the slot number (secondary address) of the module.
- The module expects each command to be terminated by line feed (character 10) and/or EOI. The default configuration of the GPIB Command Library is carriage return + line feed for end-of-line termination and EOI at the end of a line. Therefore, the defaults are correct for use with the module.
- The GPIB Command Library supports strings, numeric and array data formats. However, multiple data types cannot be sent in a single command. To send both string and numeric data in one command, convert all numeric data to strings, concatenate with the string data and send the combined string to the module. To read multiple data types, read the data into a string, and then manipulate the string by converting each piece into the appropriate data format.
- Error handling is accomplished by checking the variable *PCIB.ERR*. If it is nonzero, an error has occurred. See the command library documentation for trapping and interpreting this error variable.

Using the National Instruments GPIB Interface

- When CALLs are made to the GPIB driver, all parameters are passed as variables.
- The module is identified as a device in two ways. First, the GPIB.COM driver is modified to include the module. Use the mainframe address as the primary bus address and the slot address as the secondary address. The driver requires secondary address 0 (which is for slot 0) to be entered as 96, secondary address 1 to be entered as 97, etc.
- It is recommended that you disable auto serial poll in the GPIB.COM driver.
- The module expects each command to be terminated by a line feed (character 10) and/or EOI. Configure the GPIB.COM driver to terminate all reads and writes with EOI.
- The GPIB driver does all communication via strings. To send numeric data, number to-string conversion must be performed before the IBWRT(). To read numeric data, string-to-number conversion must be performed after each IBRD().
- Error handling is accomplished by checking the variable *IBSTA%*. If it is less than zero, an error has occurred. See the GPIB interface documentation for trapping and interpreting this error variable.

General Setup Information for Microsoft C

Using the Agilent 82335A/82990A/61062B GPIB Command Library

- The address of a module is of type long and is determined the same as with Agilent BASIC. For example, the address 70501L means 7 is the select code of the GPIB interface, 05 is the GPIB address of the mainframe, 01 is the slot number (secondary address) of the module.
- The module expects each command to be terminated by a line feed (character 10) and/or EOI. The default configuration of the GPIB Command Library is carriage return+line feed for end-of-line termination and EOI at the end of a line. Therefore, the defaults are correct for use with the module.
- The GPIB Command Library supports strings, numeric and array data formats. However, multiple data types cannot be sent in a single command. To send both string and numeric data in one command, convert all numeric data to strings, concatenate with the string data and send the combined string to the module. To read multiple data types, read the data into a string, and then manipulate the string by converting each piece into the appropriate data format.
- Each command library call returns an int. If the value is zero, no error has occurred. Error handling is accomplished by checking the return value. See the command library documentation for interpretation of this error value.

Using the National Instruments GPIB Interface

- The module is identified as a device in two ways. First, the GPIB.COM driver is modified to include the module. Use the mainframe address as the primary bus address. Use the slot address as the secondary address. The driver requires that secondary address 0 (which is for slot 0) be entered as 96, secondary address 1 be entered as 97, etc.
- It is recommended that you disable the auto serial poll in the GPIB.COM driver.
- The module expects each command to be terminated by either a line feed (character 10) and/or EOI. Configure the GPIB.COM driver to terminate all reads and writes with EOI.
- The GPIB driver does all communication via strings. To send numeric data, number to-string conversion must be performed before the ibwrt(). To read numeric data, string-to-number conversion must be performed after each ibrd().
- Error handling is accomplished by checking the variable *IBSTA%*. If bit 15 is set, an error has occurred. See the GPIB interface documentation for the interpretation of this error variable.

Sending Commands to and Receiving Data from the Module

Sending the Command "VOLT 5"

```
***** Agilent BASIC *****
2100 OUTPUT 70501;"VOLT 5" ! where 70501 means 7 is the select code of the GPIB interface 05 is the
2110 ! GPIB address of the mainframe, 01 is the slot number (secondary address)
2120 ! of the module

***** GWBASICAgilent 82335A/82990A/61062B GPIB Command Library) *****

2100 MODULE.ADDRESS=70501
2110 COMMAND$ - "VOLT 5"
2120 L - LENGTH(COMMAND$)
2130 CALL IOOUTPUTS(MODULE.ADDRESS,COMMAND$,L)
2140 IF PCIB.ERR<<O THEN ERROR PCIB.BASERR' ! ERROR TRAP

***** GWBASIC (National Instruments GPIB Interface) *****

2100 COMMAND$ = "VOLT 5"
2110 CALL IBWRT(MODULE.ADDRESS%, COMMAND$)
2120 IF IBSTA% &< 0 GOTO 5000 ! TRAP ERROR WITH ERROR HANDLER
2130 ! AT LINE 5000
```

Sending the Command "VOLT 5" in BASIC

```
***** Microsoft C Agilent 82335A/82990A/61062B HPIB Command Library) *****

/* Assumes that you have an error handler routine, called 'error_handler' that accepts a float. The error handler in then passed the float
that is returned from each call to the library. */

#include <stdio.h>
#include <chplib.h>
#include <cfunc.h>

#define module_address 70501L

char *cmd;
cmd = "VOLT 5";
error = iooutputs(MODULE_ADDRESS, cmd, strlen(cmd));
error_handler(error);

***** Microsoft C (National Instruments GPIB Interface) *****

/* Assumes that you have an error handler routine, called 'error-handler'. The error handler is then passed the float that is returned from
each call to the library. */

#include <stdio.h>
#include <decl.h>

#define ERR (1<&&<15) /* Error is detected as bit i5 of ibsta */

int module-address; /* Device is configured in the GPIB.COM handler. Use ibfind() to assign a value to module-address. */

char *cmd;
cmd - "VOLT 5"
ibwrt(MODULE_ADDRESS, cmd, strlen(cmd));
if (ibsta & ERR)
    error_handler();
```

Sending the Command "VOLT 5" in C

Receiving Data from the Module

The following screens show how to enter data from the module with various interfaces.

```
***** Agilent BASIC *****
2100 ENTER 70501; MEASUREMENT ! where 70501 means 7 is the select code of the GPIB interface,
2110 !                               05 is the GPIB address of the mainframe, 01 is the slot number
2120 !                               (secondary address) of the module, MEASUREMENT is a real number
2130 !                               sent by the module

***** GWBASIC (Agilent 82335A/82990A/61062B GPIB Command Library) *****

2100 MODULE.ADDRESS=70501
2110 CALL IOENTER(MODULE.ADDRESS,MEASUREMENT)
2120 IF PCIB.ERR&<>0 THEN ERROR PCIB.BASERR ! ERROR TRAP

***** GWBASIC (National Instruments GPIB Interface) *****

2100 MEASUREMENT$ - SPACE$(20) ! DRIVER CAN ONLY READ STRINGS, SO RESERVE
2110 !                               SPACE IN A STRING
2120 CALL IBRD(MODULE.ADDRESS%, MEASUREMENT$)
2130 IF IBSTA% &< 0 GOTO 5000 ! TRAP ERROR WITH ERROR HANDLER AT LINE 5000
2140 MEASURED.VALUE=VAL(MEASUREMENT$)" ! CONVERT THE STRING TO A NUMBER
```

Receiving Module Data with BASIC

```

***** Microsoft C (Agilent 82335A/82990A/61062B GPIB Command Library) *****

/* Assumes that you have an error handler routine, called 'error_handler' that accepts a float. The error handler is then
passed the float that is returned from each call to the library. */

#include <stdio.h>
#include k<chpib.h>
#include <cfunc.h>

#define MODULE_ADDRESS 70501L

char *cmd;
float measurement;
error = ioenter(MODULE_ADDRESS, &&measurement);
error_handler(error);

***** Microsoft C (National Instruments GPIB Interface) *****

/* Assumes that you have an error handler routine, called 'error_handler'. The error handler is then passed the float that is
returned from each call to the library. */

#include <stdio.h>
#include <stdlib.h>
#include <decl.h>

#define ERR (1<&&<15) /* Error is detected as bit 15 of ibsta */
#define STRING_LENGTH 20 /* Length of string to hold measurement */

int module_address; /* Device is configured in the GPIB.COM handler. Use
ibfind() to assign a value to module_address. */

char measurement[STRING_LENGTH];
float measured_value; /* Holds float conversion of measurement */

ibwrt(module_address, measurement, STRING_LENGTH);
if (ibsta & ERR)
    error_handler();
measured_value = atof(measurement); /* Converts measurement string to float */

```

Receiving Module Data with C

Language Dictionary

Introduction

This section gives the syntax and parameters for all the IEEE 488.2 SCPI commands and the Common commands used by the Agilent Series 6610xA power modules. It is assumed that you are familiar with the material in "Chapter 2 - Introduction to Programming". That chapter explains the terms, symbols, and syntactical structures used here and gives an introduction to programming.

The programming commands function the same way in all Agilent Series 6610xA power modules. Since SCPI syntax remains the same for all programming languages, the examples are generic.

Syntax definitions use the long form, but only short form headers (or "keywords") appear in the examples. If you have any concern that the meaning of a header in your program listing will not be obvious at some later time, then use the long form to help make your program self-documenting.

Parameters

Most commands require a parameter and all queries will return a parameter. The range for a parameter may vary according to the model of power module. Parameters for all current models are listed in *Table 3-3*, at the end of this chapter.

Related Commands

Where appropriate, related commands or queries are included. These are listed either because they are directly related by function or because reading about them will clarify or enhance your understanding of the original command or query.

Order of Presentation

The dictionary is organized as follows:

- IEEE 488.2 common commands, in alphabetical order.
- Subsystem commands.

COMMON Commands

Common commands begin with an * and consist of three letters (command) or three letters and a ? (query). *Common* commands are defined by the IEEE 488.2 standard to perform some common interface functions. The Agilent Series 6610xA power modules respond to the 13 required common commands that control status reporting, synchronization, and internal operations. The power modules also respond to five optional common commands controlling triggers, power-on conditions, and stored operating parameters.

Subsystem Commands

Subsystem commands are specific to power module functions. They can be a single command or a group of commands. The groups are comprised of commands that extend one or more levels below the root. The description of subsystem commands follows the description of the common commands.

Description Of Common Commands

Figure 3-1 shows the common commands and queries. These commands are listed alphabetically in the dictionary. If a command has a corresponding query that simply returns the data or status specified by the command, then both command and query are included under the explanation for the command. If a query does not have a corresponding command or is functionally different from the command, then the query is listed separately. The description for each common command or query specifies any status registers affected. In order to make use of this information, you must refer to "Chapter 4 - Status Reporting", which explains how to read specific register bits and use the information that they return.

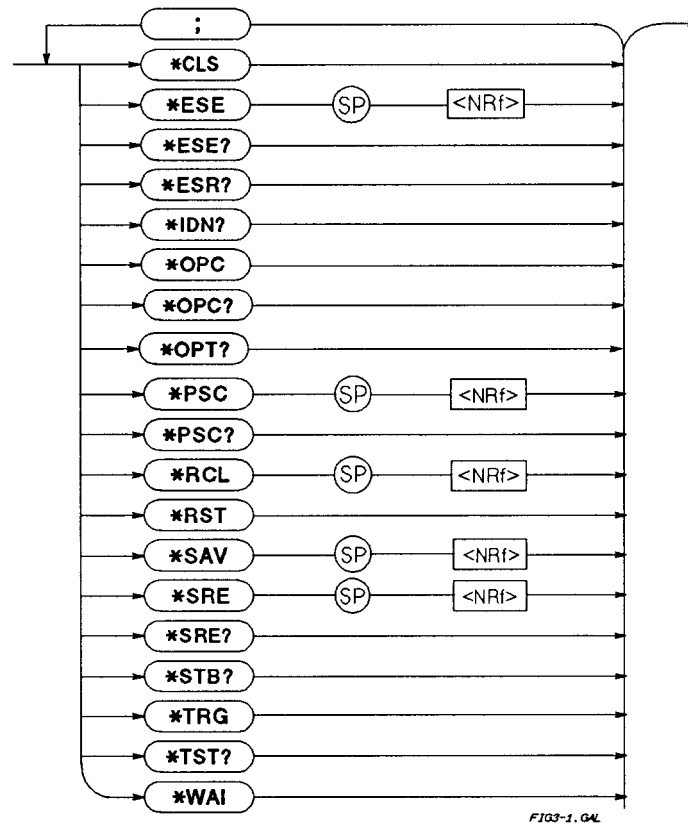


Figure 3-1. Common Commands Syntax Diagram

*CLS

Meaning and Type

Clear Status Device Status

Description

This command causes the following actions (see "Chapter 4 - Status Reporting" for descriptions of all registers):

- Clears the following registers:
 - Standard Event Status
 - Operation Status Event
 - Questionable Status Event
 - Status Byte
- Clears the Error Queue

- If ***CLS** immediately follows a program message terminator (<NL>), then the output queue and the MAV bit are also cleared.

Command Syntax ***CLS**
Parameters (None)
Query Syntax (None)

*ESE

Meaning and Type

Event Status Enable Device Status

Description

This command programs the Standard Event Status Enable register bits. The programming determines which events of the Standard Event Status Event register (see ***ESR?**) are allowed to set the ESB (Event Summary Bit) of the Status Byte register. A "1" in the bit position enables the corresponding event. All of the enabled events of the Standard Event Status Event register are logically ORed to cause the Event Summary Bit (ESB) of the Status Byte register to be set. See "Chapter 4 - Status Reporting" for descriptions of all three registers.

Bit Configuration of Standard Event Status Enable Register

Bit Position	7	6	5	4	3	2	1	0
Bit Name	PON	0	CME	EXE	DDE	QYE	0	OPC
Bit Weight	128	64	32	16	8	4	2	1

CME = Command error; DDE = Device-dependent error; EXE = Execution error; OPC = Operation complete; PON Power-on; QYE = Query error

Command Syntax ***ESE <NRf>**
Parameters *0 to 255*
Power On Value (See ***PSC**)
Suffix (None)
Example ***ESE 129**
Query Syntax ***ESE?**
Returned Parameters **<NR1>** **(Register value)**
Related Commands ***ESR? *PSC *STB?**

CAUTION

If **PSC** is programmed to 0, then the ***ESE** command causes a write cycle to nonvolatile memory. The nonvolatile memory has a finite maximum number of write cycles (see in the power module User's Guide). Programs that repeatedly cause write cycles to nonvolatile memory can eventually exceed the maximum number of write cycles and may cause the memory to fail.

*ESR?

Meaning and Type

Event Status Register Device Status

Description

This query reads the Standard Event Status Event register. Reading the register clears it. The bit configuration of this register is the same as the Standard Event Status Enable register (***ESE**). See "Chapter 4 - Status Reporting" for a detailed explanation of this register.

Query Syntax ***ESR?**
Parameters (None)
Returned Parameters **<NR1>** **(Register binary value)**
Related Commands ***CLS *ESE *ESE? *OPC**

***IDN?**

Identification Query

Meaning and Type

Identification System Interface

Description

This query requests the power module to identify itself. It returns a string composed of four fields separated by commas.

Query Syntax	*IDN?	
Returned Parameters	<AARD>	
	Field	Information
	<i>Agilent Technologies</i>	Manufacturer
	<i>xxxxxA</i>	5-digit model number followed by a letter
	<i>nnnnA-nnnnn</i>	10-character serial number or 0
	<i><R>.xx.xx</i>	Revision levels of firmware
Example	Agilent Technologies,66101A,0,A.00.01	
Related Commands	(None)	

***OPC**

Meaning and Type

Operation Complete Device Status

Description

This command causes the interface to set the OPC bit (bit 0) of the Standard Event Status register when the power module has completed all pending operations. (see ***ESE** for the bit configuration of the Standard Event Status register.) Pending operations are complete when:

- All commands sent before ***OPC** have been executed. This includes overlapped commands. Most commands are sequential and are completed before the next command is executed. Overlapped commands are executed in parallel with other commands. Commands that affect output voltage, current or state, relays, and trigger actions are overlapped with subsequent commands sent to the power module. The ***OPC** command provides notification that all overlapped commands have been completed.
- Any change in the output level caused by previous commands has been completed (completion of settling time, relay bounce, etc.)
- All triggered actions are completed.

***OPC** does not prevent processing of subsequent commands but Bit 0 will not be set until all pending operations are completed.

Command Syntax	*OPC
Parameters	(None)
Related Commands	*OPC? *WAI

***OPC?**

Meaning and Type

Operation Complete Device Status

Description

This query causes the interface to place an ASCII "1" in the Output Queue when all pending operations are completed. *Pending operations* are as defined for the ***OPC** command. Unlike ***OPC**, ***OPC?** prevents processing of all subsequent commands. ***OPC?** is intended to be used at the end of a command line so that the application program can then monitor the bus for data until it receives the "1" from the power module Output Queue.

CAUTION

Do not follow ***OPC?** with ***TRG** or GPIB bus triggers. Such triggers sent after ***OPC?** will be prevented from executing and will prevent the power module from accepting further commands. If this occurs, the only programmable way to restore operation is by sending the power module a GPIB **DCL** (Device Clear) command.

Query Syntax	*OPC?	
Returned Parameters	<NR1>	ASCII <i>I</i> is placed in the Output Queue when the power module has completed operations.
Related Commands	*OPC *TRIG *WAI	

***OPT?**

Identification Query

Meaning and Type

Identification System Interface

Description

This query requests the power module to identify any options that are installed. Options are identified by number, as shown below. A *0* indicates no options are installed.

Query Syntax	*OPT?
Returned Parameters	<AARD>
Related Commands	(None)

PSC*Meaning and Type**

Power-on Status Clear Device Initialization

Description

This command controls the automatic clearing at power on the following registers (see "Chapter 4 - Status Reporting" for register details):

- Service Request Enable.
- Standard Event Status Enable.

If the command parameter = *1* (or any non-zero value), then the above registers are cleared at power on. If the command parameter = *0*, then the above registers are not cleared but are programmed to their last state prior to power turn on. This is the most common application for ***PSC** and enables the power module to generate an SRQ (Service Request interrupt) at power on.

Command Syntax	*PSC <bool>
Parameters	0 1 OFF ON
Example	*PSC 0 *PSC 1
Query Syntax	*PSC?
Returned Parameters	<NR1> 0 1
Related Commands	*ESE *SRE

CAUTION

***PSC** causes a write cycle to nonvolatile memory. If ***PSC** is programmed to *0*, then the ***ESE** and ***SRE** commands also cause a write cycle to nonvolatile memory. The nonvolatile memory has a finite number of write cycles (see Table 1-2 in the power module User's Guide). Programs that repeatedly write to nonvolatile memory can eventually exceed the maximum number of write cycles and may cause the memory to fail.

*RCL

Meaning and Type

Recall Device State

WARNING

Recalling a previously stored state may place hazardous voltage at the power module output.

Description

This command restores the power module to a state that was previously stored in memory with a *SAV command to the specified location. The following states are recalled:

CAL:AUTO	LIST:COUN	OUTP:REL[:STAT]	TRIG:LINK
CURR[:LEV][:IMM]	LIST:STEP	OUTP:REL:POL	TRIG:SOUR
CURR:MODE	OUTP[:STAT]	OUTP:TTLT[:STAT]	VOLT[:LEV][IMM]
CURR:PROT:STAT	OUTP:DFI[:STAT]	OUTP:TTLT:LINK	VOLT:MODE
DISP:STAT	OUTP:DFI:LINK	OUTP:TTLT:SOUR	VOLT:PROT[:LEV]
INIT:CONT	OUTP:PROT:DEL	TRIG:DEL	

Sending *RCL also does the following:

- Forces an **ABORT** command before resetting any parameters (this cancels any uncompleted trigger actions).
- Disables the calibration function by setting **CAL:STATe** to **OFF**.

The device state stored in location 0 is automatically recalled at power turn-on when the power module configuration switch is set for this mode of operation (see the power module User's Guide).

Note

Whenever the power module is powered up, the state stored in location 0 is written to the 5 volatile locations (5 through 9).

Command Syntax	*RCL <NRf>
Parameters	0 through 9
Example	*RCL 3
Query Syntax	(None)
Related Commands	*PSC *RST *SAV

*RST

Meaning and Type

Reset Device State

Description

This command resets the power module to a factory-defined state as defined below. *RST also forces an **ABORT** command.

COMMAND	STATE	COMMAND	STATE	COMMAND	STATE
CAL:AUTO	OFF	OUTP[:STAT]	OFF	OUTP:TTLT:LINK	OFF
CAL:STAT	OFF	OUTP:DFI	OFF	TRIG:DEL	0
CURR[:LEV][:IMM]	1	OUTP:DFI:SOUR	LINK	TRIG:LINK	OFF
CURR:PROT:STAT	OFF	OUTP:DFI:LINK	"SUM3"	TRIG:SOUR	BUS
CURR:MODE	FIX	OUTP:PROT:DEL	1	VOLT[:LEV][:IMM]	0
DISP[:WIND]:STAT	ON	OUTP:REL[:STAT]	OFF	VOLT:MODE	FIX
INIT:CONT	OFF	OUTP:REL:POL	NORM	VOLT:PROT:LEV	MAX
LIST:STEP	AUTO	OUTP:TTLT[STAT]	OFF		
LIST:COUN	1	OUTP:TTLT:SOUR	BUS		

¹Model-dependent value. See Table 3-2.

Command Syntax	*RST
Parameters	(None)
Query Syntax	(None)
Related Commands	*PSC *SAV

*SAV

Meaning and Type

Save Device State

Description

This command stores the present state of the power module to a specified location in memory. Up to 10 states can be stored. Storage locations 0 through 4 are in nonvolatile memory and locations 5 through 9 are in volatile memory. If a particular state is desired at power on, it should be stored in location 0. It then will be recalled at power on if the power module configuration switch is set for this mode of operation (see the power module User's Guide).

The following power module states are stored by ***SAV**:

CAL:AUTO	LIST:COUN	OUTP:REL[:STAT]	TRIG:LINK
CURR[:LEV][:IMM]	LIST:STEP	OUTP:REL:POL	TRIG:SOUR
CURR:MODE	OUTP[:STAT]	OUTP:TTLT[:STAT]	VOLT[:LEV][:IMM]
CURR:PROT:STAT	OUTP:DFI[:STAT]	OUTP:TTLT:LINK	VOLT:MODE
DISP:STAT	OUTP:DFI:LINK	OUTP:TTLT:SOUR	VOLT:PROT[:LEV]
INIT:CONT	OUTP:PROT:DEL	TRIG:DEL	

Command Syntax	*SAV
Parameters	0 to 9
Query Syntax	(None)
Related Commands	PSC *RCL *RST

*SRE

Meaning and Type

Service Request Enable Device Interface

Description

This command sets the condition of the Service Request Enable register. This register determines which bits from the Status Byte register (see ***STB** for its bit configuration) are allowed to set the Master Status Summary (MSS) bit and the Request for Service (RQS) summary bit. A *1* in any Service Request Enable register bit position enables the corresponding Status Byte register bit and all such enabled bits then are logically ORed to cause Bit 6 of the Status Byte register to be set. See "Chapter 4 - Status Reporting" for more details concerning this process.

When the controller conducts a serial poll in response to SRQ, the RQS bit is cleared, but the MSS bit is not. When ***SRE** is cleared (by programming it with 0), the power module cannot generate an SRQ to the controller.

Command Syntax	*SRE <NRf>
Parameters	0 to 255
Default Value	(See *PSC)
Example	*SRE 20
Query Syntax	*SRE?
Returned Parameters	<NR1> (Register binary value)
Related Commands	*ESE *ESR *PSC

CAUTION

If ***PSC** is programmed to 0, then the ***SRE** command causes a write cycle to nonvolatile memory. The nonvolatile memory has a finite number of write cycles (see Table 1-2 in the power module *User's Guide*). Programs that repeatedly write to nonvolatile memory can eventually exceed the maximum number of write cycles and may cause the memory to fail.

***STB?**

Meaning and Type

Status Byte Device Status

Description

This query reads the Status Byte register, which contains the status summary bits and the Output Queue MAV bit. Reading the Status Byte register does not clear it. The input summary bits are cleared when the appropriate event registers are read (see "Chapter 4 - Status Reporting") for more information). The MAV bit is cleared at power on or by ***CLS**.

A serial poll also returns the value of the Status Byte register, except that bit 6 returns Request for Service (RQS) instead of Master Status Summary (MSS). A serial poll clears RQS, but not MSS. When MSS is set, it indicates that the power module has one or more reasons for requesting service.

Bit Configuration of Status Byte Register

Bit Position	7	6	5	4	3	2	1	0
Condition	OPER	MSS (RQS)	ESB	MAV	QUES	²	²	²
Bit Weight	128	64	32	16	8	4	2	1
ESB = Event status byte summary; M = Message available								
MSS = Master status summary; OPER = Operation status summary;								
QUES = Questionable status summary; RQS = Request for service								
¹ Also represents RQS. ² These bits are always zero.								

Query Syntax	*STB?	
Returned Parameters	<NR1>	(Register binary value)
Related Commands	(None)	

***TRG**

Meaning and Type

Trigger Device Trigger

Description

This command generates a trigger to any subsystem that has **BUS** selected as its source (for example, **TRIG:SOUR BUS**, **OUTP:TTLT:SOUR BUS**). The command has the same affect as the Group Execute Trigger (<GET>) command.

Command Syntax	*TRG
Parameters	(None)
Query Syntax	(None)
Related Commands	ABOR CURR:TRIG INIT TRIG[:IMM] VOLT:TIUG

*TST?

Meaning and Type

Test Device Test

Description

This query causes the power module to do a self-test and report any errors (see "Selftest Error Messages" in Chapter 3 of the power module *User's Guide*).

Query Syntax	*TST?	
Returned Parameters	<NR1>	
	0	Indicates power module passed self-test.
	Nonzero	Indicates an error code.
Related Commands	(None)	

*WAI

Meaning and Type

Wait to Continue Device Status

Description

This command instructs the power module not to process any further commands until all pending operations are completed. "Pending operations" are as defined under the *OPC command. *WAI can be aborted only by sending the power module a GPIB DCL (Device Clear) command.

Command Syntax	*WAI
Parameters	(None)
Query Syntax	(None)
Related Commands	*OPC

Description of Subsystem Commands

Figure 3-2 is a tree diagram of the subsystem commands. Commands followed by a question mark (?) take only the query form. Except as noted in the syntax descriptions, all other commands take both the command and query form. The commands are listed in alphabetical order and the commands within each subsystem are grouped alphabetically under the subsystem.

ABOR

This command cancels any trigger actions presently in process. Pending trigger levels are reset equal to their corresponding immediate values. **ABOR** also cancels any programmed lists that may be in process.

ABOR also resets the WTG bit in the Operation Condition Status register (see "Chapter 4 - Status Reporting"). If **INIT:CONT ON** has been programmed, the trigger subsystem initiates itself immediately after **ABORt**, thereby setting WTG. **ABOR** is executed at power turn on and upon execution of *RCL, RST, or any implied abort command (see List Subsystem).

Command Syntax	ABORt
Parameters	(None)
Examples	ABOR
Query Syntax	(None)
Related Commands	INIT *RST *TRG TRIG

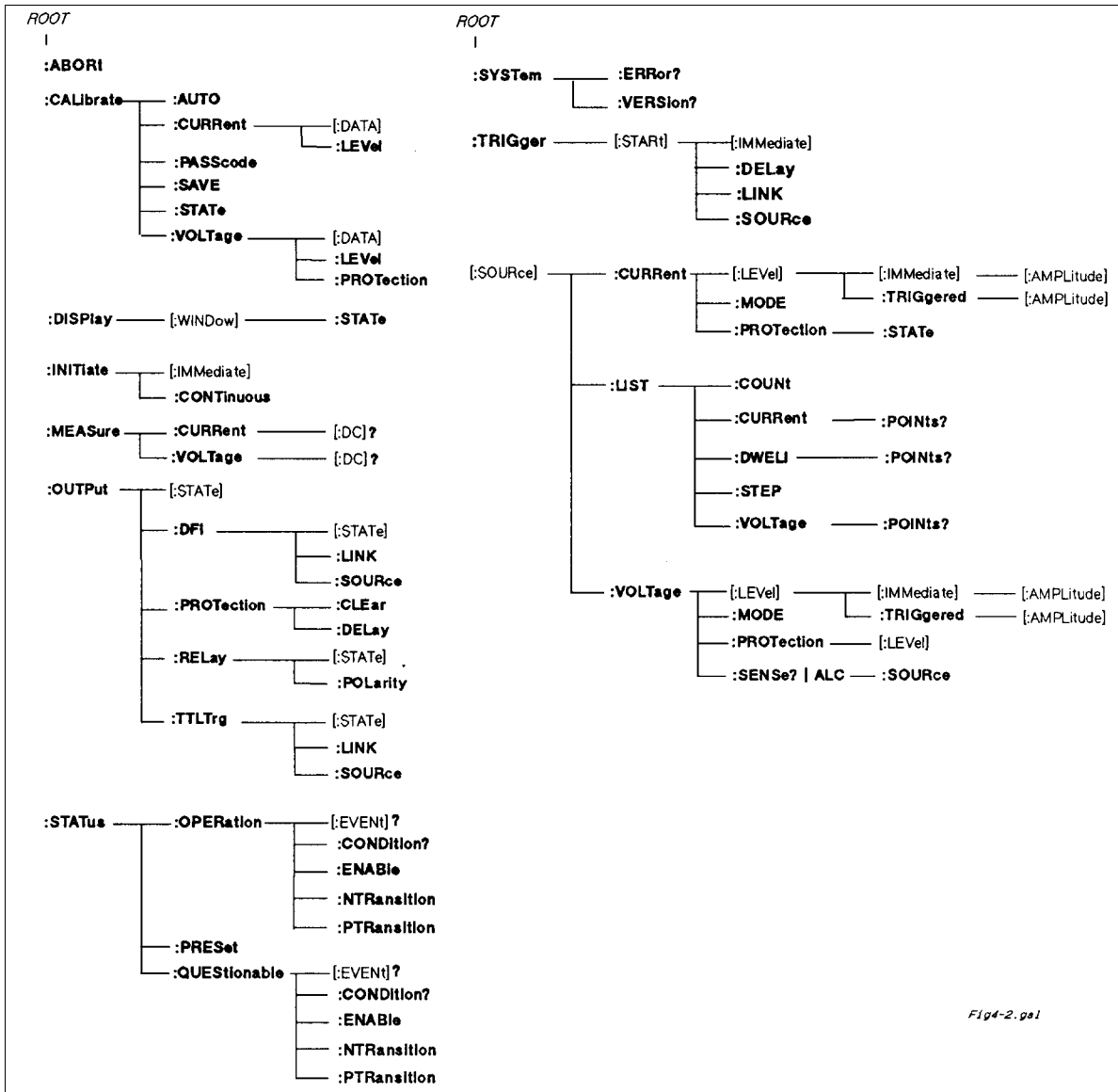


Figure 3-2. Subsystem Tree Diagram

Calibration Subsystem

The commands in this subsystem allow you to do the following:

- Control automatic calibration of the measurement subsystem.
- Enable and disable the calibration mode.
- Change the calibration password.
- Calibrate the overvoltage protection (OVP) circuit.
- Calibrate the current and voltage output levels, and store new calibration constants in nonvolatile memory.

CAL:AUTO

This command controls the autocalibration function and is used to substantially improve the accuracy of the **MEAS:CURR?** and **MEAS:VOLT?** data readback queries. It does this by compensating for temperature drift in the readback circuitry.

Whenever **CAL:AUTO ONCE** is sent, the power module performs an immediate readback temperature compensation. **CAL:AUTO ONCE** is a sequential command that takes several seconds to complete. When **CAL:AUTO ON** is sent, the power module automatically performs a readback temperature compensation before executing every **MEAS** command. Use of this command extends the execution time of every **MEAS** query.

Command Syntax	CALibrate:AUTO <bool> ONCE
Parameters	0 OFF 1 ON ONCE
*RST Value	OFF
Examples	CAL:AUTO 1 CAL:AUTO ONCE
Query Syntax	CALibrate:AUTO?
Returned Parameters	0 1
Related Commands	MEAS:CURR? MEAS:VOLT?

CAL:CURR

This command can only be used in the calibration mode. It enters a current value that you obtain by reading an external meter. You must first select a calibration level (**CAL:CURR:LEV**) for the value being entered. Two successive values (one for each end of the calibration range) must be selected and entered. The power module then computes new current calibration constants. These constants are **not** stored in nonvolatile memory until saved with the **CAL:SAVE** command.

Command Syntax	CALibrate:CURRent[:DATA] <NRf>
Parameters	(See Table 3-2)
Default Suffix	A
Examples	CAL:CURR 3222.3 MA CAL:CURR:DATA 5.000
Query Syntax	(None)
Related Commands	CAL:SAVE CAL:STAT

CAL:CURR:LEV

This command can only be used in the calibration mode. It sets the power module to a calibration point that is then entered with **CAL:CURR[:DATA]**. During calibration, two points must be entered and the low-end point (**MIN**) must be selected and entered first.

Command Syntax	CALibrate:CURRent:LEVel <CRD>
Parameters	MINimum MAXimum
Examples	CAL:CURR:LEV MIN CAL:CURR:LEV MAX
Query Syntax	(None)
Related Commands	CAL:CURR[:DATA] CAL:STAT

CAL:PASS

This command can only be used in the calibration mode. It allows you to change the calibration password. Unless it is changed subsequently to shipment, the password is the model number of the power module. A new password is automatically stored in nonvolatile memory and does not have to be stored with the **CAL:SAVE** command.

If the password is set to 0, password protection is removed and the ability to enter the calibration mode is unrestricted.

Command Syntax	CALibrate:PASScode <NRf>
Parameters	<NRf>
Examples	CAL:PASS 66102 CAL:PASS 09.1991
Query Syntax	(None)
Related Commands	CAL:STAT

CAL:SAVE

This command can only be used in the calibration mode. It saves any new calibration constants (after a current or voltage calibration procedure has been completed) in nonvolatile memory.

Command Syntax:	CALibrate:SAVE
Parameters	(None)
Examples	CAL:SAVE
Query Syntax	(None)
Related Commands	CAL:CURR CAL:VOLT CAL:STAT

CAL:STAT

This command enables and disables the calibration mode. The calibration mode must be enabled before the power module will accept any other calibration commands except **CAL:AUTO**.

The first parameter specifies the enabled or disabled state. The second parameter is the password. It is required if the calibration mode is being enabled and the existing password is not 0. If the second parameter is not entered or is incorrect, an error is generated and the calibration mode remains disabled. The query statement returns only the state, not the password.

Whenever the calibration mode is changed from enabled to disabled, any new calibration constants are lost unless they have been stored with **CAL:SAVE**.

Command Syntax:	CALibrate:STATe <bool> [,<Nrf>]
Parameters	0 OFF 1 ON[,<Nrf>]
*RST Value	OFF
Examples	CAL:STAT 1,66102 CAL:STAT OFF
Query Syntax	CALibrate:STATe?
Returned Parameters	0 1
Related Commands	CAL:PASS CAL:SAVE

CAL:VOLT

This command can only be used in the calibration mode. It enters a voltage value that is obtained from an external meter. You must first select a calibration level (**CAL:VOLT:LEV**) for the value being entered. Two successive values (one for each end of the calibration range) must be selected and entered. The power module then computes new voltage calibration constants. These constants are **not** stored in nonvolatile memory until saved with the **CAL:SAVE** command.

Command Syntax	CALibrate:VOLTage[:DATA] <Nrf>
Parameters	See Table 3-2
Default Suffix	V
Examples	CAL:VOLT 310.0 MV CAL:VOLT 5.000
Query Syntax	(None)
Related Commands	CAL:SAVE CAL:STAT

CAL:VOLT:LEV

This command can only be used in the calibration mode. It sets the power module to a calibration point that is then entered with **CAL:VOLT[:DATA]**. During calibration, two points must be entered and the low-end point (**MIN**) must be selected and entered first.

Command Syntax	CALibrate:VOLTage:LEVel <CRD>
Parameters	MINimum [MAXimum
Examples	CAL:VOLT:LEV MIN CAL:VOLT:LEV MAX
Query Syntax	(None)
Related Commands	CAL:VOLT[:DATA] CAL:STAT

CAL:VOLT:PROT

This command can only be used in the calibration mode. It calibrates the power module overvoltage protection (OV) circuit. The power module output must be enabled and operating in the constant voltage (CV) mode. The power module automatically performs the calibration and stores the new OV constant in nonvolatile memory. **CAL:VOLT:PROT** is a sequential command that takes several seconds to complete.

Command Syntax:	CALibrate:VOLTage:PROTection
Parameters	(None)
Example	CAL:VOLT:PROT
Query Syntax	(None)
Related Commands	CAL:STAT

Current Subsystem

This subsystem programs the output current of the power module.

CURR

This command directly programs the immediate current level of the power module. The immediate level is the current applied at the output terminals. This command is always active, even when the current subsystem is in the list mode (see **CURR:MODE**).

Command Syntax	[SOURce]:CURRent[:LEVel] [:IMMediate][:AMPLitude] <NRf+>
Parameters	<i>See Table 3-2</i>
Default Suffix	A
*RST Value	<i>See Table 3-2</i>
Examples	CURR 500 MA CURR:LEV .5
Query Syntax	[SOURce]:CURRent[:LEVel] [:IMMediate][:AMPLitude]? [SOURce]:CURRent[:LEVel] [:IMMediate][:AMPLitude]? MAX [SOURce]:CURRent[:LEVel] [:IMMediate][:AMPLitude]? MIN
Returned Parameters	<NR3> CURR? returns the present programmed current level. CURR? MAX and CURR? MIN return the maximum and minimum programmable current levels.
Related Commands	*SAV *RCL *RST

CURR:MODE

This command enables or disables list subsystem control over the power module output current. When programmed with **FIX**, this command prevents the output current from being controlled by the sequencing of points specified by **LIST:CURR**. If the **LIST** parameter is used, then the output current may be changed by the subsequent execution of a list. However, the list mode does not prevent the output current from being set by **CURR** and ***RCL**.

Note **CURR:MODE:LIST** is an implied **ABORT** command.

Command Syntax	[SOURce]:CURRent:MODE <CRD>
Parameters	FIXed LIST
*RST Value	FIX
Examples	CURR:MODE LIST CURR:MODE FIX
Query Syntax	[SOURce]:CURRent:MODE?
Returned Parameters	FIX LIST
Related Commands	CURR:LIST *RCL

CURR:PROT:STAT

This command enables or disables the power module overcurrent (OC) protection function. If the overcurrent protection function is enabled and the power module goes into constant current (CC) mode, then the output is disabled and the Questionable Condition status register OC bit is set (see "Chapter 4 - Status Reporting"). An overcurrent condition can be cleared with the **OUTP:PROT:CLE** command after the cause of the condition is removed.

Command Syntax	[SOURce]:CURRent:PROTEction:STATe <bool>
Parameters	0 1 OFF ON
*RST Value	OFF
Examples	CURR:PROT:STAT 0 CURR:PROT:STAT OFF
Query Syntax	[SOURce]:CURRent:PROTEction:STATe?
Returned Parameters	0 1
Related Commands	OUTP:PROT:CLE OUTP:PROT:DEL *RCL *SAV

CURR:TRIG

This command programs the pending triggered current level of the power module. The pending triggered current level is a stored value that is transferred to the output terminals when a trigger occurs. A pending triggered level is unaffected by subsequent **CURR** commands and remains in effect until the trigger subsystem receives a trigger or an **ABORT** command is given. If there is no pending triggered level, then the query form returns the **IMMEDIATE** current level. In order for **CURR:TRIG** to be executed, the trigger subsystem must be initiated (see **INITiate**).

Command Syntax	[SOURce]:CURRent[:LEVel]:TRIGgered [:AMPLitude] <NRf+>
Parameters	<i>See Table 3-2</i>
Default Suffix	A
*RST Value	<i>See Table 3-2</i>
Examples	CURR:TRIG 1200 MA CURR:LEV:TRIG 1.2
Query Syntax	SOURce]:CURRent[LEVel]:TRIGgered [:AMPLitude]? [SOURce]:CURRent[LEVel]:TRIGgered [:AMPLitude]? MAXimum [SOURce]:CURRent[:LEVel]:TRIGgered [:AMPLitude]? MIN
Returned Parameters	<NR3> CURR:TRIG? returns the presently programmed triggered level. If no triggered level is programmed, the CURR level is returned. CURR:TRIG? MAX and CURR:TRIG? MIN return the maximum and minimum programmable triggered current levels.
Related Commands	ABOR CURR[:IMM] CURR:MODE INIT *RST

DISPlay Command

This command turns the power module optional front panel voltage and current displays on and off. It does not affect the annunciators.

Command Syntax	DISPlay[:WINDow]:STAT <bool>
Parameters	0 1 OFF ON
*RST Value	ON
Examples	DISP:STAT 1 DISP:STAT OFF
Query Syntax	DISPlay[:WINDow]:STAT?
Returned Parameters	0 1
Related Commands	*SAV *RCL

INITiate Command

This command enables the trigger subsystem. When a trigger is enabled, an event on the selected trigger source causes the specified triggering action to occur. If a trigger circuit is not enabled, all trigger commands are ignored. If **INIT:CONT** is **OFF**, then **INIT** enables the trigger subsystem only for a single trigger action. The subsystem must be enabled prior to each subsequent trigger action. If **INIT:CONT** is **ON**, then the trigger system is continuously enabled and **INIT** is redundant.

Command Syntax	INITiate[:IMMediate]
	INITiate:CONTinuous <bool>
Parameters	For INIT[:IMM] (None)
	For INIT:CONT 0 1 OFF ON
*RST Value	OFF
Examples	INIT INIT:CONT 1 INIT:CONT ON
Query Syntax	For INIT[:IMM] (None)
	For INIT:CONT INITiate:CONTinuous?
Returned Parameters	0 1
Related Commands	ABOR CURR:TRIG TRIG *TRG VOLT:TRIG

List Subsystem

This subsystem controls the generation of parameter lists that sequence the power module output through values of voltage and current. Two subsystem commands specify lists of output voltages (**LIST:VOLT**), and currents (**LIST:CURR**). A count command (**LIST:COUN**) determines how many times the power module sequences through a list before that list is completed. A dwell command (**LIST:DWEL**) specifies the time interval that each value (point) of a list is to remain in effect. A step command (**LIST:STEP**) determines if a trigger causes a list to advance only to its next point or to sequence through all of its points.

Each list can have from 1 to 20 points. Normally, voltage, current, and dwell lists must have the same number of points, or an error is generated when the first list point is triggered. The exception is a list consisting of only one point. Such a list is treated as if it had the same number of points as the other lists, with all the points having the same value as the one specified point.

Note All list subsystem commands (as well as **CURR:MODE LIST** and **VOLT:MODE LIST**) are implied **ABORT** commands.

LIST:COUN

This command sets the number of times that the list is executed before it is completed. The command accepts parameters in the range 1 through 9.9E37, but any number greater than 65534 is interpreted as **INFINITY**. Use **INF** if you wish to execute a list indefinitely.

Command Syntax	[SOURce]:LIST:COUNT <NRf+>
Parameters	1 to 9.9E37 INFINITY
*RST Value	1
Examples	LIST:COUN 3 LIST:COUN INF
Query Syntax	[SOURce]:LIST:COUNT?
Returned Parameters	<NR3>
Related Commands	CURR:MODE LIST:CURR LIST:DWEL LIST:STEP LIST:VOLT VOLT:MODE

LIST:CURR

This command specifies the output current points in a list. The current points are given in the command parameters, which are separated by commas. Up to 20 points may be entered and the output current values specified by the points will be generated in the same order as they were entered.

Command Syntax	[SOURce]:LIST:CURREnt <NRf+> {,<NRf+>}
Parameters	<i>See Table 3-2</i>
Default Suffix	A
Examples	LIST:CURR 2.5,3.0,3.5 LIST:CURR MAX,2.5,MIN
Query Syntax	(None)
Related Commands	CURR:MODE LIST:CURR:POIN? LIST:DWEL

LIST:CURR:POIN?

This query returns the number of points specified in **LIST:CURR**. Note that it returns only the total number of points, not the point values.

Query Syntax	[SOURce]:LIST:CURRent:POINts?
Returned Parameters	<NR1>
Example	LIST:CURR:POIN?
Related Commands	CURR:MODE LIST:CURR LIST:DWEL

LIST:DWEL

This command sets the dwell points for the output current list and output voltage list. Each dwell point specifies the time, in seconds, that the output of the power module is to remain at the level specified by the corresponding point in the current or voltage list. At the end of the dwell time, the output of the power module depends upon the following conditions:

- If **LIST:STEP AUTO** has been programmed, the output automatically changes to the next point in the list.
- If **LIST:STEP ONCE** has been programmed, the output remains at the present level until a trigger sequences the next point in the list.

Command Syntax	[SOURce]:LIST:DWEL1 <NRf+> {,<NRf+>}
Parameters	0.01 to 65 MINimum MAXimum
Default Suffix	S
Examples	LIST:DWEL .5,5,1.5
Query Syntax	(None)
Related Commands	CURR:MODE LIST:COUN LIST:CURR LIST:STEP LIST:VOLT VOLT:MODE

LIST:DWEL:POIN?

This query returns the number of points specified in **LIST:DWEL**. Note that it returns only the total number of points, not the point values.

Query Syntax	[SOURce]:LIST:DWEL1:POINts?
Returned Parameters	<NR1>
Example	LIST:DWEL:POIN?
Related Commands	LIST:CURR LIST:DWEL LIST:VOLT

LIST:STEP

This command specifies how list sequencing occurs in response to triggers. If **LIST:STEP AUTO** is sent, then a single trigger causes the list (voltage, current, or dwell) to sequence through all its points. The time that a list remains at each point is as specified in the dwell list. As soon as the dwell interval expires, the list moves to the next point.

If **LIST:STEP ONCE** is sent, then a single trigger advances a list only one point. After the specified dwell interval, the list remains at that point until the next trigger occurs.

In either mode, triggers that occur during a dwell interval are ignored.

Command Syntax	[SOURce]:LIST:STEP <CRD>
Parameters	AUTO ONCE
*RST Value	AUTO
Examples	LIST:STEP ONCE
Query Syntax	[SOURce]:LIST:STEP?
Returned Parameters	AUTO ONCE
Related Commands	CURR:MODE LIST:COUN LIST:CURR LIST:DWEL LIST:VOLT VOLT:MODE

LIST:VOLT

This command specifies the output voltage points in a list. The voltage points are given in the command parameters, which are separated by commas. Up to 20 points may be entered and the output voltage values specified by the points will be generated in the same order as they were entered.

Command Syntax	[SOURCE]:LIST:VOLTage <NRf+> {,<NRf+>}
Parameters	<i>See Table 3-2</i>
Default Suffix	V
Examples	LIST:VOLT 2.0,2.5,3.0 LIST:VOLT MAX,2.5,MIN
Query Syntax	(None)
Related Commands	VOLT:MODE LIST:VOLT:POIN? LIST:DWEL

LIST:VOLT:POIN?

This query returns the number of points specified in LIST:VOLT. Note that it returns only the total number of points, not the point values.

Query Syntax	[SOURCE]:LIST:VOLTage:POINts?
Returned Parameters	<NR1>
Example	LIST:VOLT:POIN?
Related Commands	VOLT:MODE LIST:VOLT LIST:DWEL

MEASure Query

This query returns the current measured at the power module output terminals or the voltage measured at the sense terminals. The query format allows two optional parameters for specifying the expected value and desired measurement accuracy. The power module accepts the optional parameters but ignores them.

Query Syntax	MEASure:CURRent[:DC]? [<NRf>[,<NRf>]] MEASure:VOLTage[:DC]? [<NRf>[,<NRf>]]
Parameters	(None)
Default Suffix	A for MEAS:CURR? V for MEAS:VOLT?
Examples	MEAS:CURR? MEAS:VOLT? MEASURE:VOLTAGE:DC? MV
Returned Parameters	<NR3>
Related Commands	CAL:AUTO

Output Subsystem

This subsystem controls the power module voltage and current outputs and the optional output relay.

OUTP

This command enables or disables the power module output. The state of a disabled output is a condition of zero output voltage and a model-dependent minimum source current.

If the power module is configured to use the relay option, the command opens the relay contacts when the output is disabled and closes them when it is enabled. Transitions between the output ON and OFF states are sequenced so that the relay is switched while the power mesh is disabled. Use of the second (**NORelay**) parameter prevents the command from having any effect on the relay; it remains in its existing state when **OUTP** is executed. The query form returns the output state, excluding that of the relay (see **OUTP:REL?**).

Command Syntax	OUTPut[:STATe] <bool>[,NOReLay]
Parameters	0 OFF[,NOReLay] 1 ON[,NOReLay]
*RST Value	0
Examples	OUTP 1 OUTP:STAT ON,NORELAY
Query Syntax	OUTPut[:STATe]?
Returned Parameters	0 1
Related Commands	*RCL *SAV

OUTP:DFI

This command enables or disables the discrete fault indicator (DFI) signal to the power module backplane.

Command Syntax	OUTPut:DFI[:STATe] <bool>
Parameters	0 1 OFF ON
*RST Value	OFF
Examples	OUTP:DFI:1 OUTP:DFI OFF
Query Syntax	OUTPut:DFI[:STATe]?
Returned Parameters	0 1
Related Commands	OUTP:DFI:LINK OUTP:DFI:SOUR

OUTP:DFI:LINK

This command specifies which events within the power module are linked to DFI source events.

Command Syntax	OUTPut:DFI:LINK <CRD>
Parameters	<i>See Table 3-2</i>
*RST Value	SUM3
Examples	OUTP:DFI:LINK "CC" OUTP:DFI:LINK "OFF"
Query Syntax	OUTPut:DFI:LINK?
Returned Parameters	<i>See Table 3-2</i>
Related Commands	OUTP:DFI:SOUR OUTP:DFI[:STAT]

OUTP:DFI:SOUR

This command selects the source for DFI events. The only available source is **LINK**.

Command Syntax	OUTP:DFI:SOUR <CRD>
Parameters	LINK
*RST Value	LINK
Examples	OUTP:DFI:SOUR LINK
Query Syntax	OUTPut:DFI:SOUR?
Returned Parameters	LINK
Related Commands	OUTP:DFI:LINK OUTP:DFI[:STAT]

OUTP:PROT

There are two output protection commands that do the following:

OUTP:PROT:CLE Clears any overvoltage (OV), overcurrent (OC), overtemperature (OT), or remote inhibit (RI) protection features. After this command, the output is restored to the state it was in before the protection feature occurred.

OUTP:PROT:DEL

Sets the delay time between the programming of an output change that produces a CV, CC, or UNREG condition and the recording of that condition by the Status Operation Condition register. The delay prevents momentary changes in power module status that can occur during reprogramming from being registered as events by the status subsystem. Since the delay applies to CC status, it also delays the OCP (overcurrent protection) feature. The OVP (overvoltage protection) feature is not affected by this delay.

Command Syntax	OUTPut:PROTection:CLEar
	OUTPut:PROTection:DELAy <NRf+>
Parameters	OUTP:PROT:CLE, (none)
	OUTP:PROT:DEL 0 to 32.767 MIN MAX
Default Suffix	S
*RST Value	100 (milliseconds)
Examples	OUTP:PROT:CLE OUTP:PROT:DEL 75E-1
Query Syntax	OUTP:PROTection:CLEar (None) OUTPut:PROTection:DELAy? OUTPut:PROTection:DELAy? MINimum OUTPut:PROTection:DELAy? MAXimum
Returned Parameters	<NR3>
Related Commands	OUTP:PROT:CLE (None) OUTP:PROT:DEL *RCL *SAV

OUTP:REL

This command is valid only if the power module is configured for the optional relay connector. Programming **ON** closes the relay contacts; programming **OFF** opens them. The relay is controlled independently of the output state. If the power module is supplying power to a load, that power will appear at the relay contacts during switching. If the power module is not configured for the relay connector, sending either relay command generates an error.

Command Syntax	OUTPut:RELAy[:STATe] <bool>
Parameters	0 1 OFF ON
*RST Value	0
Examples	OUTP:REL 1 OUTP:REL OFF
Query Syntax	OUTPut:RELAy?
Returned Parameters	0 1
Related Commands	OUTP[:STAT] *RCL *SAV

OUTP:REL:POL

This command is valid only if the power module is configured for the optional relay connector. Programming **NORMAL** causes the relay output polarity to be the same as the power module output. Programming **REVERSE** causes the relay output polarity to be opposite to that of the power module output. If **OUTP[:STAT] = ON** when either relay command is sent, the power module output voltage is set to 0 during the time that the relays are changing polarity. If the power module is not configured for the relay connector, sending either relay command generates an error.

Command Syntax	OUTPut:RELAy:POLarity <CRD>
Parameters	NORMal REVERSE
*RST Value	NORM
Examples	OUTP:REL:POL NORM
Query Syntax	OUTPut:RELAy:POLarity?
Returned Parameters	NORM REV
Related Commands	OUTP[:STAT] *RCL *SAV

OUTP:TTLT

This command enables or disables the power module Trigger Out signal, which is available at a BNC connector on the rear of the mainframe. Trigger Out is the logical OR of all the power module TTLTrig signals (see "Chapter 5 - Synchronizing Power Module Output Changes"). It also may be selected as a trigger input (see **TRIGger:SOURce**).

Command Syntax	OUTPut:TTLTrg[:STATe] <bool>
Parameters	0 1 OFF ON
*RST Value	OFF
Examples	OUTP:TTLT 1 OUTP:TTLT OFF
Query Syntax	OUTPut:TTLTrg[:STATe]?
Returned Parameters	0 1
Related Commands	OUTP:TTLT:LINK OUTP:TTLT:SOUR

OUTP:TTLT:LINK

This command specifies which events within the power module are linked to TTLTrg source events when **LINK** is the parameter for the **OUTP:TTLT:SOUR** command.

Command Syntax	OUTPut:TTLrg:LINK <CRD>
Parameters	<i>See Table 3-1</i>
*RST Value	OFF
Examples	OUTP:TTLT:LINK "CC" OUTP:TTLT:LINK "OFF"
Query Syntax	OUTPut:TTLrg:LINK?
Returned Parameters	<i>See Table 3-1</i>
Related Commands	OUTP:TTLT:SOUR OUTP:TTLT[:STAT]

OUTP:TTLT:SOUR

This command selects the signal source for the Trig Out signal as follows:

BUS	*TRG or <GET> (Group Execute Trigger)	HOLD	No trigger source except TRIG:IMM
EXT	Mainframe backplane Trigger In bus	LINK	Internal power module event as specified by TRIG:LINK

When an event becomes true at the selected TTLTrg source, a pulse is sent to the BNC connector on the rear of the mainframe.

Command Syntax	OUTPut:TTLrg:SOURce <CRD>
Parameters	BUS EXTernal LINK HOLD
*RST Value	BUS
Examples	OUTP:TTLT:SOUR LINK
Query Syntax	OUTPut:TTLrg:SOURce?
Returned Parameters	BUS EXT LINK HOLD
Related Commands	OUTP:TTLT:LINK OUTP:TTLT[:STAT]

Status Subsystem

This subsystem programs the power module status registers. The power module has three groups of status registers; **Operation**, **Questionable**, and **Standard Event**. The Standard Event group is programmed with Common commands as described in "Chapter 4 - Status Reporting". The Operation and Questionable status groups each consist of the following five registers:

Condition	Enable	Event	NTR Filter	PTR Filter
-----------	--------	-------	------------	------------

Status Operation Registers

The bit configuration of all Status Operation registers is shown in the following table:

Bit Configuration of Operation Registers

Bit Position	12	11	10	9	8	7	6	5	4	3	2	1	0
Bit Name	STC	NU	CC	NU	CV	NU	NU	WTG	NU	NU	NU	NU	CAL
Bit Weight	4096	2048	1024	512	256	128	64	32	16	8	4	2	1

CAL = Interface is computing new calibration constants; CC = The power module is in constant current mode;
 CV = The power module is in constant voltage mode; NU = (Not used); STC = The list step is complete;
 WTG = Interface is waiting for a trigger.

Note

See "Chapter 4 - Status Reporting" for more explanation of these registers

STAT:OPER?

This query returns the value of the Operation Event register. The Event register is a read-only register which holds (latches) all events that are passed by the Operation NTR and/or PTR filter. Reading the Operation Event register clears it.

Query Syntax	STATus:OPERation[:EVENT]?
Parameters	(None)
Returned Parameters	<NR1> (Register Value)
Examples	STAT:OPER:EVENT?
Related Commands	*CLS STAT:OPER:NTR STAT:OPER:PTR

STAT:OPER:COND?

This command returns the value of the Operation Condition register. That is a read-only register which holds the real-time (unlatched) operational status of the power module.

Query Syntax	STATus:OPERation:CONDition?
Parameters	(None)
Examples	STAT:OPER:COND?
Returned Parameters	<NR1> (Register value)
Related Commands	(None)

STAT:OPER:ENAB

This command and its query set and read the value of the Operation Enable register. This register is a mask for enabling specific bits from the Operation Event register to set the operation summary bit (OPER) of the Status Byte register. This bit (bit 7) is the logical OR of all the Operation Event register bits that are enabled by the Status Operation Enable register.

Command Syntax	STATus:OPERation:ENABLE <NRf>
Parameters	0 to 32727
Suffix	(None)
Default Value	0
Examples	STAT:OPER:ENAB 1312 STAT:OPER:ENAB 1
Query Syntax	STATus:OPERation:ENABLE?
Returned Parameters	<NR1> (Register value)
Related Commands	STAT:OPER:EVENT

STAT:OPER:NTR|PTR Commands

These commands set or read the value of the Operation NTR (Negative-Transition) and PTR (Positive-Transition) registers. These registers serve as polarity filters between the Operation Enable and Operation Event registers to cause the following actions:

- When a bit in the Operation NTR register is set to 1, then a 1-to-0 transition of the corresponding bit in the Operation Condition register causes that bit in the Operation Event register to be set.
- When a bit of the Operation PTR register is set to 1, then a 0-to-1 transition of the corresponding bit in the Operation Condition register causes that bit in the Operation Event register to be set.
- If the same bits in both NTR and PTR registers are set to 1, then *any transition* of that bit at the Operation Condition register sets the corresponding bit in the Operation Event register.
- If the same bits in both NTR and PTR registers are set to 0, then *no transition* of that bit at the Operation Condition register can set the corresponding bit in the Operation Event register.

Note Setting a bit in the value of the PTR or NTR filter can of itself generate positive or negative events in the corresponding Operation Event register.

Command Syntax	STATus:OPERation:NTRansition <Nrf> STATus:OPERation:PTRansition <Nrf>
Parameters	0 to 32727
Suffix	(None)
Default Value	0
Examples	STAT: OPER: NTR 32 STAT: OPER: PTR 1312
Query Syntax	STAT:OPER:NTR? STAT:OPER:PTR?
Returned Parameters	<NR1> (Register value)
Related Commands	STAT:OPER:ENAB

STAT:PRES

This command sets all defined bits in the Status Subsystem PTR registers and clears all bits in the subsystem NTR and Enable registers. STAT:OPER:PTR is set to 1313 and STAT:QUES:PTR is set to 1555.

Command Syntax	STATus:PRESet
Parameters	(None)
Examples	STAT:PRES
Query Syntax	(None)
Related Commands	(None)

Status Questionable Registers

The bit configuration of all Status Questionable registers is as follows:

Bit Configuration of Questionable Registers

Bit Position	15-11	10	9	8	7	6	5	4	3	2	1	0
Condition	NU	UNR	RI	NU	NU	NU	NU	OT	NU	NU	OC	OV
Bit Weight		1024	512	256	128	64	32	16	8	4	2	1

NU = (Not used); OC = Overcurrent protection circuit has tripped; OT = Overtemperature status condition exists; OV = Overvoltage protection circuit has tripped; RI = Remote inhibit is active; UNR = Power supply output is unregulated.

Note See "Chapter 4 - Status Reporting" for more explanation of these registers.

STAT:QUES?

This command returns the value of the Questionable Event register. The Event register is a read-only register which holds (latches) all events that are passed by the Questionable NTR and/or PTR filter. Reading the Questionable Event register clears it.

Query Syntax	STATus:QUESTIONable[:EVENT]?
Parameters	(None)
Returned Parameters	<NR1> (Register Value)
Examples	STAT:QUES:EVEN?
Related Commands	*CLS STAT:QUES:NTR STAT:QUES:PTR

STAT:QUES:COND?

This query returns the value of the Questionable Condition register. That is a read-only register which holds the real-time (unlatched) questionable status of the power module.

Query Syntax	STATus:QUESTIONable:CONDition?
Example	STAT:QUES:COND?
Returned Parameters	<NR1> (Register value)
Related Commands	(None)

STAT:QUES:ENAB

This command sets or reads the value of the Questionable Enable register. This register is a mask for enabling specific bits from the Questionable Event register to set the questionable summary (QUES) bit of the Status Byte register. This bit (bit 3) is the logical OR of all the Questionable Event register bits that are enabled by the Questionable Status Enable register.

Command Syntax	STATus:QUESTIONable:ENABle <NRf>
Parameters	0 to 32727
Suffix	(None)
Default Value	0
Example	STAT:QUES:ENAB 18
Query Syntax	STATus:QUESTIONable:ENABle?
Returned Parameters	<NR1> (Register value)
Related Commands	STAT:QUES:EVEN?

STAT:QUES:NTR|PTR Commands

These commands allow the values of the Questionable NTR (Negative-Transition) and PTR (Positive-Transition) registers to be set or read. These registers serve as polarity filters between the Questionable Enable and Questionable Event registers to cause the following actions:

- When a bit of the Questionable NTR register is set to 1, then a 1-to-0 transition of the corresponding bit of the Questionable Condition register causes that bit in the Questionable Event register to be set.
- When a bit of the Questionable PTR register is set to 1, then a 0-to-1 transition of the corresponding bit in the Questionable Condition register causes that bit in the Questionable Event register to be set.
- If the same bits in both NTR and PTR registers are set to 1, then *any transition* of that bit at the Questionable Condition register sets the corresponding bit in the Questionable Event register.
- If the same bits in both NTR and PTR registers are set to 0, then *no transition* of that bit at the Questionable Condition register can set the corresponding bit in the Questionable Event register.

Note

Setting a bit in the PTR or NTR filter can of itself generate positive or negative events in the corresponding Questionable Event register.

Command Syntax	STATus:QUESTIONable:NTRansition <NRf> STATus:QUESTIONable:PTRansition <NRf>
Parameters	0 to 32727
Suffix	(None)
Default Value	0
Example	STAT:QUES:NTR 16 STAT:QUES:PTR 512
Query Syntax	STATus:QUESTIONable:NTRansition? STATus:QUESTIONable:PTRansition?
Returned Parameters	<NR1> (Register value)
Related Commands	STAT:QUES:ENAB

SYST:ERR?

This query returns the next error number followed by its corresponding error message string from the remote programming error queue. The queue is a FIFO (first-in, first-out) buffer that stores errors as they occur. As it is read, each error is removed from the queue. When all errors have been read, the query returns **0,NO ERROR**. If more errors are accumulated than the queue can hold, the last error in the queue is **-350,TOO MANY ERRORS**.

Query Syntax	SYSTem:ERRor?
Parameters	(None)
Returned Parameters	<NR1>,<SRD>
Example	SYST:ERR?

SYST:VERS?

This query returns the SCPI version number to which the power module complies. The returned value is of the form **YYYY.V**, where **YYYY** represents the year and **V** is the revision number for that year.

Query Syntax	SYSTem:VERSion?
Parameters	(none)
Returned Parameters	<NR2>
Example	SYST:VERS?
Related Commands	(None)

Trigger Subsystem

This subsystem controls the triggering of the power module. See "Chapter 5 - Synchronizing Power Module Output Changes" for an explanation of the Trigger Subsystem.

Note The trigger subsystem must be enabled from the Initiate Subsystem or no triggering action will occur.

TRIG

When the trigger subsystem is enabled, **TRIG** generates an immediate trigger signal that bypasses any selected **TRIG:SOUR** and **TRIG:DEL**. The trigger will then:

1. Initiate a pending level change as specified by **CURR[:LEV]:TRIG** or **VOLT[:LEV]:TRIG**.
2. Initiate a pending level change as specified by **CURR:MODE LIST** or **VOLT:MODE LIST** and in accordance with **LIST:STEP**.
3. Clear the WTG bit in the Status Operation Condition register.

Command Syntax	TRIGger[:START][:IMMediate]
Parameters	(None)
Examples	TRIG TRIG: IMM
Query Syntax	(None)
Related Commands	ABOR CURR:MODE CURR:TRIG INIT *TRG VOLT:MODE VOLT:TRIG

TRIG:DEL

This command sets the time delay between the detection of an event on the specified trigger source and the start of any corresponding trigger action on the power module's output.

Command Syntax	TRIGger[:START]:DELay <NRf+>
Parameters	0 to 65 MIN MAX
Default Suffix	S
*RST Value	0
Examples	TRIG:DEL .25 TRIG:DEL MAX
Query Syntax	TRIGger[:START]:DELay?
Returned Parameters	<NR3>
Related Commands	ABOR CURR:TRIG INIT *TRG TRIG[:IMM] VOLT:TRIG

TRIG:LINK

This command specifies which event conditions within the power module are linked to trigger source events when **LINK** is the parameter of the **TRIG:SOUR** command.

Command Syntax	TRIGger[:START]:LINK <CRD>
Parameters	(See Table 3-1)
*RST Value	OFF
Examples	TRIG:LINK "CC" TRIG:LINK "OPER"
Query Syntax	TRIGger[:START]:LINK?
Returned Parameters	<CRD> (See Table 3-1)
Related Commands	ABOR INIT *TRG TRIG[:IMM] TRIG:SOUR

TRIG:SOUR

This command selects the power module input trigger source as follows:

BUS	*TRG or <GET> (Group Execute Trigger)
EXT	Mainframe backplane Trigger In bus
HOLD	No trigger source except TRIG:IMM
LINK	Internal power module event as specified by TRIG:LINK
TTLT	Mainframe Trigger Out bus

Command Syntax	TRIGger[:START]:SOURce <CRD>
Parameters	BUS EXT HOLD LINK TTLT
*RST Value	BUS
Examples	TRIG: SOUR BUS TRIG: SOUR LINK
Query Syntax	TRIGger[:START]:SOURce?
Returned Parameters	BUS EXT HOLD TTLT
Related Commands	ABOR CURR:TRIG INIT OUTP:TTLT VOLT:TRIG

Voltage Subsystem

This subsystem programs the output voltage of the power module.

VOLT

This command directly programs the immediate voltage level of the power module. The immediate level is the voltage applied at the output terminals. This command is always active, even when the voltage subsystem is in the list mode (see **VOLT:MODE**).

Command Syntax	[SOURce]: VOLTage [: LEVel] [: IMMEDIATE][: AMPLitude] <NRf+>
Parameters	Table 3-2
Default Suffix	V
*RST Value	Table 3-2
Examples	VOLT 2500 MV VOLT:LEV 2.5
Query Syntax	[SOURce]: VOLTage [: LEVel] [: IMMEDIATE][: AMPLitude]? [SOURce]: VOLTage [: LEVel] [: IMMEDIATE][: AMPLitude]? MAX [SOURce]: VOLTage [: LEVel] [: IMMEDIATE][: AMPLitude]? MIN
Returned Parameters	<NR3> VOLT? returns the presently programmed immediate voltage level. VOLT? MAX and VOLT? MIN return the maximum and minimum programmable immediate voltage levels.
Related Commands	*SAV *RCL *RST

VOLT:MODE

This command enables or disables list subsystem control over the power module output voltage. When programmed with **FIX**, this command prevents the output voltage from being controlled by the sequencing of points specified by **LIST:VOLT**. If the **LIST** parameter is used, then the output voltage may be changed by the subsequent execution of a list. However, the list mode does not prevent the output voltage from being set by **VOLT[:IMM]** and ***RCL**.

Note **VOLT:MODE LIST** is an implied **ABORT** command.

Command Syntax	[SOURce]: VOLTage:MODE <CRD>
Parameters	FIXed LIST
*RST Value	FIX
Examples	VOLT:MODE LIST VOLT:MODE FIX
Query Syntax	[SOURce]: VOLTage:MODE ?
Returned Parameters	FIX LIST
Related Commands	VOLT:LIST *RCL

VOLT:PROT

This command sets the overvoltage protection (OVP) level of the power module. If the output voltage exceeds the OVP level, then the power module output is disabled and the Questionable Condition status register OV bit is set (see "Chapter 4 - Status Reporting"). An overvoltage condition can be cleared with the **OUTP:PROT:CLE** command after the condition that caused the OVP trip is removed. The OVP always trips with zero delay and is unaffected by the **OUTP:PROT:DEL** command.

Command Syntax	[SOURce]: VOLTage:PROTection [: LEVel] <NRf+>
Parameters	See Table 3-2
Default Suffix	V
*RST Value	MAX
Examples	VOLT:PROT 2.5 VOLT:PROT:LEV MAX

Query Syntax	[SOURCE]:VOLTage:PROTection [:LEVel]? [SOURCE]:VOLTage:PROTection [:LEVel]? MIN [SOURCE]:VOLTage:PROTection [:LEVel]? MAX
Returned Parameters	<NR3> VOLT:PROT? returns presently programmed OVP level. VOLT:PROT? MAX and VOLT:PROT? MIN return the maximum and minimum programmable OVP levels.
Related Commands	OUTP:PROT:CLE *RST *SAV *RCL

VOLT:SENS:SOUR?

This command reads the state of the power module output connector remote sense switch. The **INT**ernal parameter corresponds to the **LOCAL** position of the switch. (See the power module User's Guide for more information about this switch.) **VOLT:SENS:SOUR** is an alias for the SCPI **VOLT:ALC:SOUR** command.

Query Syntax	[SOURCE]:VOLTage:SENSe:SOURce?
Example	VOLT:SENS:SOUR?
Returned Parameters	EXTernal INTernal
Related Commands	VOLT:ALC:SOUR?

VOLT:TRIG

This command programs the pending triggered voltage level of the power module. The pending triggered voltage level is a stored value that is transferred to the output terminals when a trigger occurs. A pending triggered level is unaffected by subsequent **VOLT:LEV[:IMM]** commands and remains in effect until the trigger subsystem receives a trigger or an **ABORT** command is given. In order for **VOLT:TRIG** to be executed, the trigger subsystem must be initiated (see **INITiate**).

Command Syntax	[SOURCE]:VOLTage[:LEVel]:TRIGgered [:AMPLitude] <NRf+>
Parameters	<i>See Table 3-2</i>
Default Suffix	<i>V</i>
*RST Value	<i>See Table 3-2</i>
Examples	VOLT:TRIG 1200 MV VOLT:LEV:TRIG 1.2
Query Syntax	[SOURCE]:VOLTage[:LEVel]:TRIGgered [:AMPLitude]? [SOURCE]:VOLTage[LEVel]:TRIGgered [:AMPLitude]? MAX [SOURCE]:VOLTage[:LEVel]:TRIGgered [:AMPLitude]? MIN
Returned Parameters	<NR3> VOLT:TRIG? returns the presently programmed current level. If the TRIG level is not programmed, the IMM level is returned. VOLT:TRIG? MAX and VOLT:TRIG? MIN return the maximum and minimum programmable triggered voltage levels.
Related Commands	ABOR VOLT[:IMM] VOLT:MODE INIT *RST

Table 3-1. Link Parameter List

Parameter	True Event Condition	Valid for		
<i>CC</i>	Constant current event bit ¹	OUTP:DFI:LINK	OUTP:TTLT:LINK	TRIG[:STAR]:LINK
<i>CV</i>	Constant voltage event bit ¹	OUTP:DFI:LINK	OUTP:TTLT:LINK	TRIG[:STAR]:LINK
<i>ESB</i>	Standard event summary bit ¹	OUTP:DFI:LINK	OUTP:TTLT:LINK	TRIG[:STAR]:LINK
<i>LSC</i>	List sequence complete pulse ²		OUTP:TTLT:LINK	TRIG[:STAR]:LINK
<i>OPC</i>	Operation complete bit ¹	OUTP:DFI:LINK	OUTP:TTLT:LINK	TRIG[:STAR]:LINK
<i>OPER</i>	Operation summary bit ¹	OUTP:DFI:LINK	OUTP:TTLT:LINK	TRIG[:STAR]:LINK
<i>QUES</i>	Questionable summary bit ¹	OUTP:DFI:LINK	OUTP:TTLT:LINK	TRIG[:STAR]:LINK
<i>MAV</i>	Message available summary bit ¹	OUTP:DFI:LINK	OUTP:TTLT:LINK	TRIG[:STAR]:LINK
<i>OFF</i>	No linked event condition	OUTP:DFI:LINK	OUTP:TTLT:LINK	TRIG[:STAR]:LINK
<i>RQS</i>	Request service summary bit ¹	OUTP:DFI:LINK	OUTP:TTLT:LINK	TRIG[:STAR]:LINK
<i>RTG</i>	Received a trigger bit ²		OUTP:TTLT:LINK	TRIG[:STAR]:LINK
<i>STC</i>	List step completed pulse ²		OUTP:TTLT:LINK	TRIG[:STAR]:LINK
<i>STS</i>	List step started pulse ²		OUTP:TTLT:LINK	TRIG[:STAR]:LINK
<i>SUM3</i>	<i>OPER</i> or <i>QUES</i> or <i>ESB</i> bit ¹	OUTP:DFI:LINK	OUTP:TTLT:LINK	TRIG[:STAR]:LINK
<i>TDC</i>	Trigger delay complete pulse ²		OUTP:TTLT:LINK	TRIG[:STAR]:LINK

¹ See “Chapter 4 - Status Reporting” ² See “Chapter 5 - Synchronizing Power Module Output Changes”.

Table 3-2. Power Module Programming Parameters

Parameter	Agilent Model					
	66101A	66102A	66103A	66104A	66105A	66106A
Output Programming Range (maximum programmable values):						
Voltage:	8.190 V	20.475 V	35.831 V	61.425 V	122.85 V	204.75 V
Current:	16.380 A	7.678 A	4.607 A	2.559 A	1.280 A	0.768 A
OV Protection:	8.8 V	22.0 V	38.5 V	66.0 V	132.0 V	220.0 V
Average Resolution						
Voltage:	2.4 mV	5.9 mV	10.4 mV	18.0 mV	36.0 mV	60.0 mV
Current:	4.6 mA	2.3 mA	1.4 mA	0.75 mA	0.38 mA	0.23 mA
OV Protection:	50 mV	120 mV	200 mV	375 mV	750 mV	1.25 V
*RST State Values¹						
Voltage:	0					
Current:	257 mA	120 mA	72 mA	40 mA	20 mA	12 mA
OV Protection:	8.8 V	22.0 V	38.5 V	66.0 V	132.0 V	220.0 V

¹ These also are the power-on reset values when the factory default parameters are left in effect (see "Chapter 2 Installation" in the power module *User's Guide*).

Nonvolatile Memory Locations: 5; (0 through 4)

Volatile Memory Locations: 5; (5 through 9)

:

Status Reporting

Power Module Status Structure

Figure 4-1 shows the status register structure of the power module. The Standard Event, Status Byte, and Service Request Enable registers and the Output Queue perform standard GPIB functions as defined in the *IEEE 488.2 Standard Digital Interface for Programmable Instrumentation*. The Operation Status and Questionable Status registers implement status functions specific to the power module.

Status Register Bit Configuration

Table 4-2 and Figure 4-1 show the bit configuration of each status register.

Operation Status Group

Register Functions

The Operation Status registers record signals that occur during normal operation. The group consists of the following registers:

- A Condition register that holds real-time status of the circuits being monitored. It is a read-only register.
- A PTR/NTR (positive transition/negative transition) Filter that functions as described under **STAT:OPER:NTR|PTR COMMANDS** in "Chapter 3 - Language Dictionary". This is a read/write register.
- An Event register that latches any condition that is passed through the PTR or NTR filters. Reading the Event register clears it.
- An Enable register that functions as described under **STAT:OPER:ENAB** in "Chapter 3 -Language Dictionary". This is a read/write register.

The outputs of the Operation Status group are logically-ORed into the OPER(ation) summary bit (7) of the Status Byte register.

Register Commands

Commands that access this group are derived from the **STAT:OPER** commands described in "Chapter 3 - Language Dictionary" and summarized in Table 4-1.

Table 4-1. Status Operation Commands

Register	Command	Query	Cleared By
Condition	(None)	STAT:OPER:COND?	Cannot be cleared
PTR Filter	STAT:OPER:PTR <NRf>	STAT:OPER:PTR?	Programming 0 or STAT:PRES
NTR Filter	STAT:OPER:NTR <NRf>	STAT:OPER:NTR?	Programming 0
Event	(None)	STAT:OPER:EVEN?	Reading or *CLS
Enable	STAT:OPER:ENAB <NRf>	STAT:OPER:ENAB?	Programming 0

Table 4-2. Bit Configurations of Status Registers

Bit	Signal	Meaning	Bit	Signal	Meaning
Operation Status Group			Standard Event Status Group		
0	CAL	The interface is computing new calibration constants	0	OPC	Operation complete
5	WTG	The interface is waiting for a trigger	2	QYE	Query error
8	CV	The power module is in constant voltage mode	3	DDE	Device-dependent error
10	CC	The power module is in constant current mode	4	EXE	Execution error
12	DWE	The list step is active (dwelling)	5	CME	Command error
Questionable Status Group			7	PON	Power on
			Status Byte and Service Request Enable Registers		
0	OV	The power module overvoltage protection circuit has tripped	3	QUES	Questionable status summary bit
1	OC	The power module overcurrent protection circuit has tripped	4	MAV	Message Available summary bit
4	OT	The power module has an overtemperature condition	5	ESB	Event Status summary bit
9	RI	The power module remote inhibit state is active	6	MSS	Master Status summary bit
10	UNR	The power module output is unregulated	6	RQS	Request Service bit
			7	OPER	Operation status summary bit

Questionable Status Group

Register Functions

The Questionable Status registers record signals that indicate abnormal operation of the power module. As shown in Figure 4-1, the group consists of the same type of registers as the Status Operation group. The outputs of the Questionable Status group are logically-ORed into the QUES(tionable) summary bit (3) of the Status Byte register.

Register Commands

Programming for this group is derived from the **STAT:QUES** commands described in "Chapter 3 - Language Dictionary" and summarized in Table 4-3.

Table 4-3. Status :Questionable Commands

Register	Command	Query	Cleared By
Condition	(None)	STAT:QUES:COND?	Cannot be cleared
PTR Filter	STAT:QUES:PTR <NRf>	STAT:QUES:PTR?	Programming 0
NTR Filter	STAT:QUES:NTR <NRf>	STAT:QUES:NTR?	Programming 0 or STAT:PRES
Event	(None)	STAT:QUES:EVEN?	Reading or *CLS
Enable	STAT:QUES:ENAB <NRf>	STAT:QUES:ENAB?	Programming 0

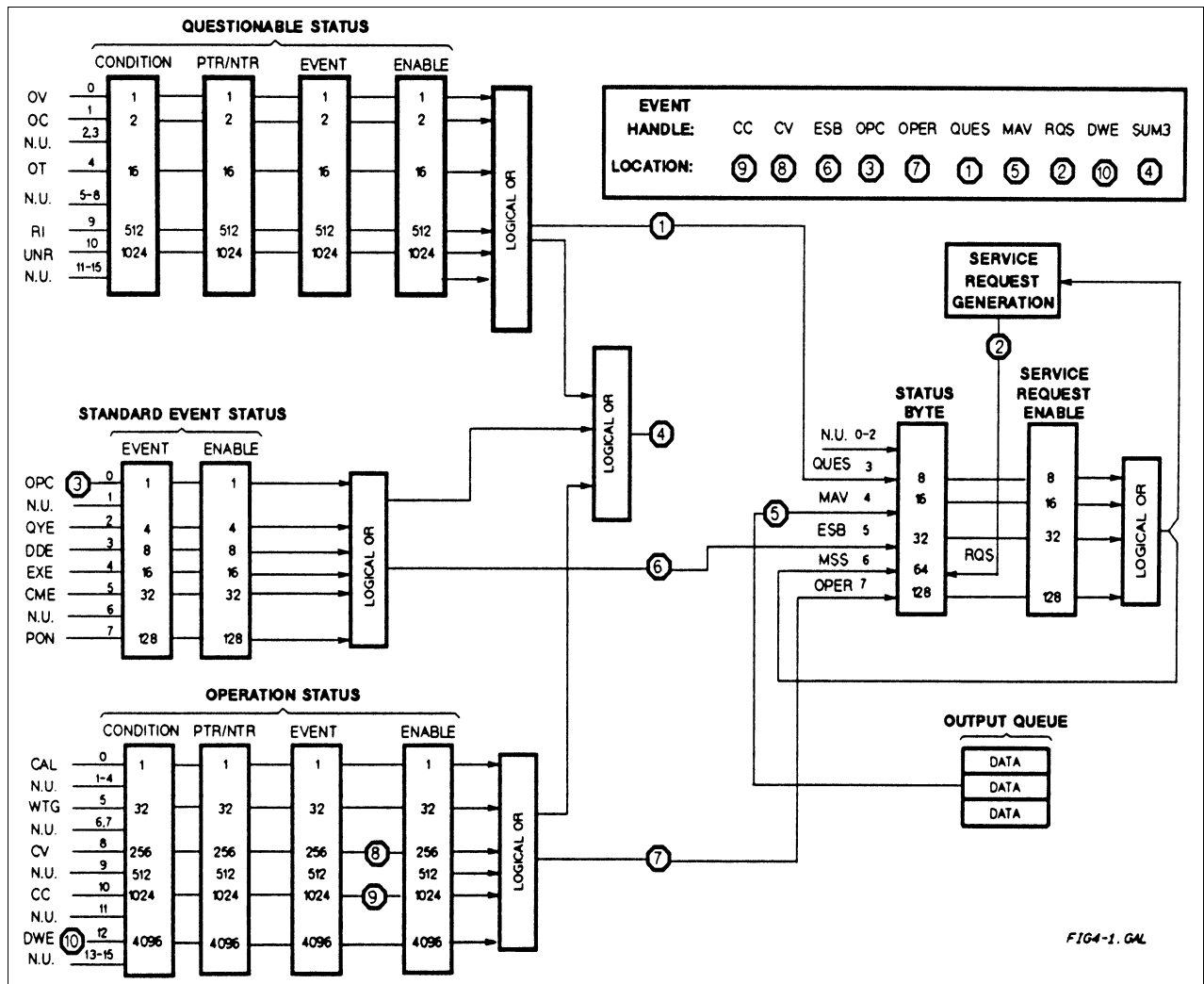


Figure 4-1. Power Module Status Model

Standard Event Status Group

Register Functions

This group consists of an Event register and an Enable register that are programmed by COMMON commands. The Standard Event register latches events relating to interface communication status (see Table 4-2). It is a read-only register that is cleared when read. The Standard Event Enable register functions similarly to the enable registers of the Operation and Questionable status groups.

Register Commands

The common *ESE command programs specific bits in the Standard Event Status Enable register. Because the power module implements *PSC, the register is cleared at power on if *PSC = 1.

*ESR? reads the Standard Event Status Event register. Reading the register clears it.

Status Byte Register

This register summarizes the information from all other status groups as defined in the *IEEE 488.2 Standard Digital Interface for Programmable Instrumentation* standard. The bit configuration is shown in Table 4-2. The register can be read either by a serial poll or by ***STB?**. Both methods return the same data, except for bit 6. Sending ***STB?** returns MSS in bit 6, while polling returns RQS in bit 6.

The RQS Bit

Whenever the power module requests service, it sets the SRQ interrupt line true and latches RQS into bit 6 of the Status Byte register. When the controller services the interrupt, RQS is cleared inside the register and returned in bit position 6 of the response. The remaining bits of the Status Byte register are not disturbed.

The MSS Bit

This is a real-time (unlatched) summary of all Status Byte register bits that are enabled by the Service Request Enable register. MSS is set whenever the power module has at least one reason (and possible more) for requesting service. Sending ***STB?** reads the MSS in bit position 6 of the response. No bits of the Status Byte register are cleared by reading it.

Determining the Cause of a Service Interrupt

You can determine the reason for an SRQ by the following actions:

- Use a serial poll or the ***STB?** query to determine which summary bits are active.
- Read the corresponding Event register for each summary bit to determine which events caused the summary bit to be set. When an Event register is read, it is cleared. This also clears the corresponding summary bit.
- The interrupt will recur until the specific condition that caused the each event is removed. If this is not possible, the event may be disabled by programming the corresponding bit of the status group Enable register or NTR|PTR filter. A faster way to prevent the interrupt is to disable the service request by programming the appropriate bit of the Service Request Enable register.

Output Queue

The Output Queue is a first-in, first-out (FIFO) data register that stores power module-to-controller messages until the controller reads them. Whenever the queue holds one or more bytes, it sets the MAV bit (4) of the Status Byte register. If too many unread error messages are accumulated in the queue, a system error message is generated (see "Chapter 6 - Error Messages"). The Output Queue is cleared at power on and by ***CLS**.

Location Of Event Handles

"Event handles" are signals within the interface that can be used for triggers, for a Trigger Out signal, or for a DFI signal. Those event handles derived from signals in the Status Subsystem are shown as circled numbers in Figure 4-1. Other event handles are described in "Chapter 5 - Synchronizing Power Module Output Changes".

Initial Conditions At Power On

Status Registers

When the power module is turned on, a sequence of commands initializes the status registers. Table 4-4 shows the register states and corresponding power-on commands for the factory-default *RST power-on state. *If the module power-on function switch is set to 0, then the power-on state is determined by the parameters stored in location 0 (see Chapter 4 of the User's Guide).*

Table 4-4. Default Power On Register States

Register	Condition	Caused By
Operation PTR; Questionable PTR	All bits = 1	STAT:PRE
Operation NTR; Questionable NTR	All bits = 0	STAT:PRE
Operation Event; Questionable Event	All bits = 0	*CLS
Operation Enable; Questionable Enable	All bits = 0	STAT:PRE
Standard Event Status Enable	All bits = 0 ¹	*ESE 0
Status Byte	All bits = 0	*CLS
Status Request Enable	All bits = 0 ¹	*SRE 0
Output Queue	Cleared	*CLS

¹If PSC=1. If PSC = 0, then the last previous state before turn on is recalled. The value of PSC is stored in nonvolatile memory.

The PON (Power On) Bit

The PON bit in the Standard Event register is set whenever the power module is turned on. The most common use for PON is to generate an SRQ at power on following an unexpected loss of power. To do this, bit 7 of the Standard Event Enable register must be set so that a power-on event registers in the ESB (Standard Event Summary Bit). Also, bit 5 of the Service Request Enable register must be set to permit an SRQ to be generated. The commands to accomplish these two conditions are:

***ESE 128**
***SRE 32**

If *PSC is programmed to 0, the contents of the Standard Event Enable and Service Request Enable registers are saved in nonvolatile memory and recalled at power on. This allows a PON event to generate SRQ at power on. Programming *PSC to 1 prevents these registers from being saved and they are cleared at power on. This prevents a PON event from generating SRQ at power on.

Examples

Note These examples are generic SCPI commands. See "Chapter 2 - Programming Introduction" for information about encoding the commands as language strings.

Servicing an Operation Status Mode Event

This example assumes you want a service request generated whenever the power module switches to the CC (constant current) mode. From Figure 4-1, note that the required path is for a condition at bit 10 (CC) of the Operation Status register to set bit 6 (RQS) of the Status Byte register. The required register programming is as follows:

Table 4-5. Generating RQS from the CC Event

Register	Command	Comment
Operation PTR	STAT:OPER:PTR 1024	Allows a positive transition at the CC input (bit 10) to be latched into the Status Event register. ¹
Operation Enable	STAT:OPER:ENAB 1024	Allows the latched CC event to be summed into the OPER summary bit.
Service Request Enable	*SRE 128	Enables the OPER summary bit from the Status Byte register to generate RQS.
Operation Condition	STAT:OPER:EVEN?	When you service the request, read the event register to determine that bit 10 (CC) is set and to clear the register for the next event.

¹All bits of the PTR registers bits are set to 1 at power on.

Adding More Operation Events

To add CV (constant voltage) and DWE (dwelling) events to this example, it is only necessary to add the decimal values for bit 8 (value 64) and bit 12 (value 4096) to the programming commands of the Operation Status group. The commands to do this are:

STAT:OPER:PTR 5376;ENAB 5376

It is not necessary to change any other registers, since the programming for the operation summary bit (OPER) path has already been done.

Servicing Questionable Status Events

To add OC (overcurrent) and OT (overtemperature) events to this example, program Questionable Status group bits 1 and 4.

STAT:QUES:PTR 18;ENAB 18

Next, you must program the Service Request Enable register to recognize both the questionable (QUES) and the operational (OPER) summary bits.

***SRE 136**

Now when there is a service request, read back both the operational and the questionable event registers.

STAT:OPER:EVEN?;QUES:EVEN?

Monitoring Both Phases of a Status Transition

You can monitor a status signal for both its positive and negative transitions. For example, to generate RQS when the power module either enters the CC (constant current) condition or leaves that condition, program the Operational Status PTR/NTR filter as follows:

**STAT:OPER:PTR 1024;NTR 1024
STAT:OPER:ENAB 1024;*SRE 128**

The PTR filter will cause the OPER summary bit to set RQS when CC occurs. Then the controller subsequently reads the event register (STAT: OPER: EVEN?), the register is cleared. When CC subsequently goes false, the NTR filter causes the OPER summary bit to again set RQS.

Synchronizing Power Module Output Changes

Introduction

If you use only the **VOLT [: LEV] : TRIG** and/or **CURR [: LEV] : TRIG** commands to trigger output changes, *you do not need the information in this chapter*. This chapter gives supplemental information on how you can synchronize power module output changes to internal or external events. The output changes can be:

- A change in output voltage level.
- A change in output current level.
- The start of an internally-paced list of output voltage or current levels.
- A step to the next level in a list of output voltage or current levels.
- A change in the output state (on or off).

The event to which the output change is synchronized can be any of the following:

- A command from the controller.
- A GPIB bus command.
- An event that occurs within the power module.
- An event that occurs within another power module.
- An external signal at the mainframe trigger input.
- An external signal at the mainframe fault inhibit input (INH).

The output synchronization is implemented by the following power module functions:

- Trigger subsystem.
- List subsystem.
- Remote inhibit (RI) subsystem.
- Discrete fault indicator (DFI) subsystem.

Trigger Subsystem

Two simplified models of the trigger subsystem are presented. The first model shows how the trigger subsystem functions during fixed-mode output. This mode occurs when **VOLT:MODE FIX** or **CURR:MODE FIX** is in effect (see "Chapter 3 - Language Dictionary"). In this mode of output control, each triggered output voltage or current value is explicitly specified by a triggered-level command (for example, **VOLT: TRIG 20** or **CURR: TRIG 1.55**). The trigger then causes the output to change to this pending triggered level.

The second model shows the difference in trigger subsystem operation during list-mode output. This mode occurs when the **VOLT:MODE LIST** or **CURR:MODE LIST** command is programmed (see "List Subsystem" further in this chapter for an explanation of lists). In this mode of output operation, the triggered output voltage or current levels are specified within a list and the trigger controls the sequencing through the values in the list.

Model of Fixed-Mode Trigger Operation

Figure 5-1A is a simplified model of trigger subsystem operation when the power module is programmed for fixed-mode output. The rectangular boxes represent states. The arrows show the transitions between states. These are labeled with the input or event that causes the transition to occur.

Idle State

When the power module is turned on, the trigger subsystem is in the idle state. In this state, the trigger subsystem ignores all triggers. When the trigger action has been completed, the trigger subsystem returns to this state. It also returns to the Idle state if the **ABORT** command or an implied **ABORT** command (*RST, *RCL, or any LIST) is sent.

Initiated State

The **INITiate** command moves the trigger subsystem from the Idle state to the Initiated State. This enables the power module to receive triggers. The source of the trigger is selected with the **TRIGger:SOURce** command (see "Chapter 3 - Language Dictionary"). When in the Initiated state, the power module responds to events on the selected trigger source by transferring to the Delaying state. As shown in Figure 5-1A there is another trigger signal that is not subject to **TRIG: SOUR** control. This is the **TRIGger:IMMEDIATE** command. If the trigger subsystem is in the Initiated state, this command generates a trigger that transfers the trigger subsystem directly to the Output Change state, bypassing the Delaying state.

Delaying State

When a trigger event occurs on the selected trigger source, the trigger subsystem transfers to the Delaying state. In this state, the subsystem waits for the interval specified by the **TRIGger:DElay** command before moving to the next state. As shown in Figure 5-1A, a **TRIGger: IMMEDIATE** command will bypass any programmed delay and cause an immediate transition to the Output Change state.

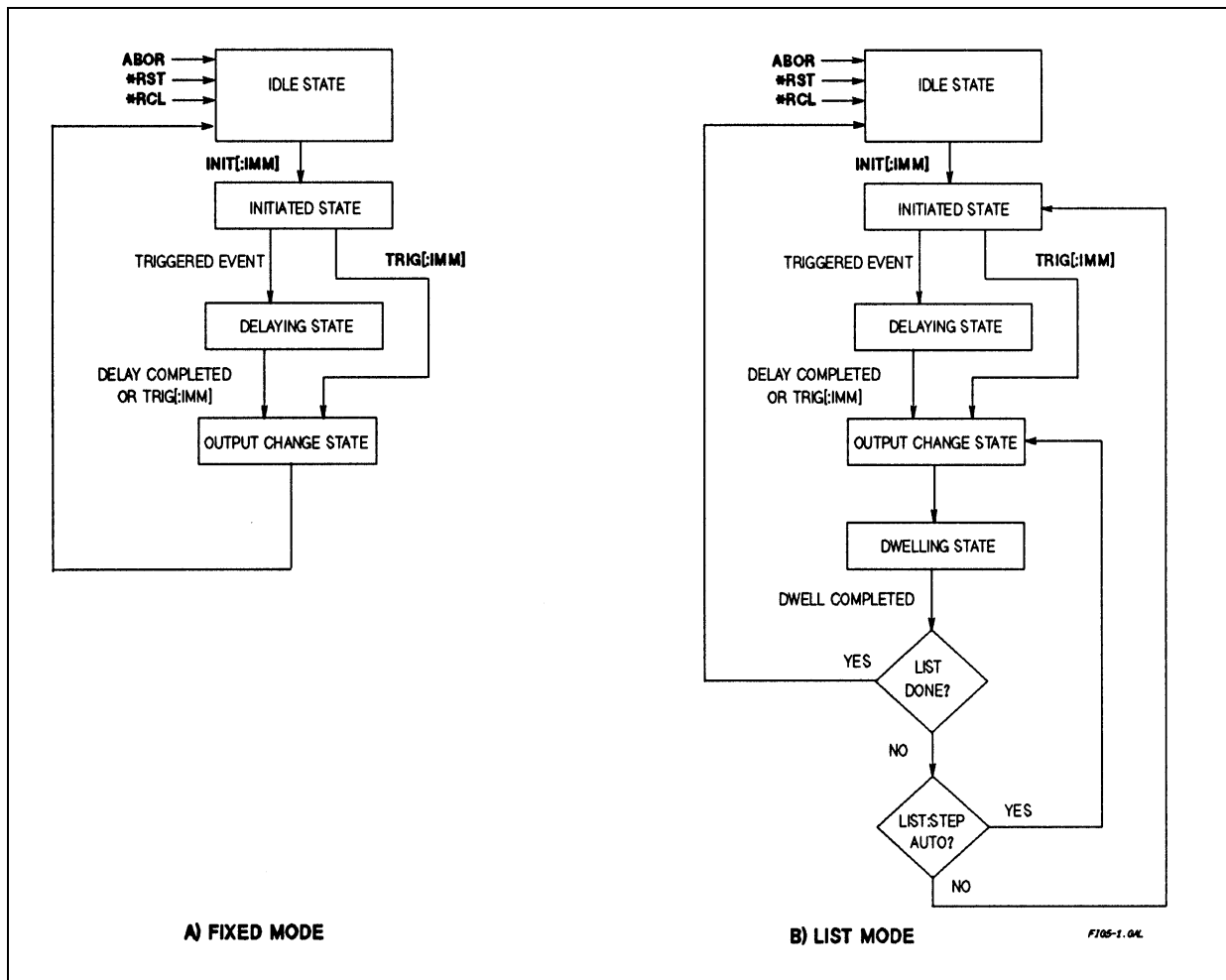


Figure 5-1. Simplified Models of Trigger Modes

Output Change State

When the trigger subsystem enters the Output Change state, the output voltage and current are set to the pending levels programmed by the **VOLTage:TRIGgered** and **CURRent:TRIGgered** commands. Once this occurs, the existing triggered levels are cleared and must be reprogrammed. If no triggered levels are programmed, then the trigger has no effect on the output levels. When the triggered actions are completed, the trigger subsystem returns to the Idle state.

Model of List Mode Trigger Operation

Figure 5-1B is a simplified model of trigger subsystem operation when power module is programmed for list-mode output. Operation in the Idle, Initiated, and Delaying states are identical to that described under fixed-mode operation.

Output Change State

When the trigger subsystem enters the Output Change state in List mode, the output voltage and/or current is set to the next value (point) in the programmed list. The trigger subsystem then transfers to the next (Dwelling) state and increments the list to the next point. If there are no more points in the list, the subsystem resets the list to the first point. This completes the list, unless **LIST: COUNT** is programmed to greater than one. In that case, the list is not completed until it has repeated the list sequence the number of times specified by the count.

Dwelling State

Each voltage and current list point has an associated dwell interval specified by the **LIST:DWELL** command. After the new output value is established, the trigger system pauses for the programmed dwell interval. During this dwell interval, trigger events are ignored and only an **ABORT** (or implied abort) command can transfer the subsystem out of the Dwelling state.

At the end of the dwell interval, the transition to the next state depends on whether or not the list has completed its sequencing and on how the **LIST: STEP** command has been programmed.

- If the list is completed, the trigger subsystem returns to the Idle state.
- If the list is not completed, then the subsystem reacts as follows:
 - If **LIST: STEP ONCE** has been programmed, the trigger subsystem returns to the Idle state.
 - If **LIST: STEP AUTO** has been programmed, the trigger subsystem returns to the Output Change state and immediately executes the next list point.

The INITiate:CONTInuous Command

In the above descriptions of the trigger subsystem models, the **INITiate: IMMEDIATE** command was used to move from the Idle to the Initiated state. In some applications, it may be desirable to have the subsystem return directly to the Initiated state after a trigger action has completed. Programming **INITiate:CONTInuous ON** does this by bypassing the Idle state. If the **ABORT** command is given while **INIT: CONT** is **ON**, the trigger subsystem transfers to the Idle state but immediately exits to the Initiated state.

Trigger Status and Event Signals

Some transitions of the trigger subsystem provide inputs to the status subsystem. Others are defined as "event handles", which are selectable trigger sources by way of parameters in link commands **TRIGger:LINK**, **OUTPut:DFI:LINK** and **OUTPut:TTL:LINK** (see Table 3-1). Table 5-1 summarizes these signals.

Table 5-1. Trigger Subsystem Status and Event Signals

Signal	Type	Description
DWE	Status Bit	Dwelling. True only during the dwelling state. DWE can be monitored at the Operation Status register (see "Chapter 4 - Status Reporting").
LSC	Event Handle	List Sequence Complete. Occurs upon exit from the Dwelling state after the last programmed list point has been executed. If LIST: COUNT is greater than 1, LSC occurs once for each count until the list is done.
RTG	Event Handle	Received a trigger. Occurs upon exit from the Initiated state.
TDC	Event Handle	Trigger delay complete. Occurs upon exit from the Delaying state.
STC	Event Handle	Step Completed. Occurs upon exit from the Dwelling state.
STS	Event Handle	Step Started. Occurs upon transition into the Dwelling state.
WTG	Status Bit	Waiting for trigger. True only when the trigger subsystem is in either the Initiated or the Delaying state. WTG can be monitored at the Operation Status register (see "Chapter 4 - Status Reporting").

Trigger In and Trigger Out

The mainframe has two bnc connectors labeled **Trigger In** and **Trigger Out**. Figure 5-2 shows the model for these signals, which are applied to all power modules in the mainframe (see “TrigIn/TrigOut Characteristics” in Chapter 1 of Agilent 66000A Installation Guide for electrical parameters). **Trigger In** and **Trigger Out** are electrically isolated at each power module from the mainframe chassis reference ground.

Trigger In

Trigger In is a TTL level input that can be selected as a trigger source for each module. Modules recognize a **Trigger In** signal on its falling edge. **Trigger In** is selected as a trigger source with the **EXTERNAL** parameter. For example:

```
TRIGger:SOURce EXT
OUTPut:TTLT:SOURce EXT
```

Trigger Out

The **Trigger Out** signal is a 20-microsecond, negative-true TTL pulse. This pulse can be driven by each power module by programming the **OUTPUT:TTLTrg** commands. Each module can also select **Trigger Out** as a trigger source by programming the SCPI **TRIGger:SOURce TTLT** command (see "Chapter 3 - Language Dictionary" for details of these commands).

- To select the **Trigger In** connector as a trigger source, use **TRIG: SOUR EXT**
- To apply a trigger to the **Trigger Out** connector, use **OUTP:TTLT ON**. You must also select the source (**OUTP:TTLT:SOUR**).

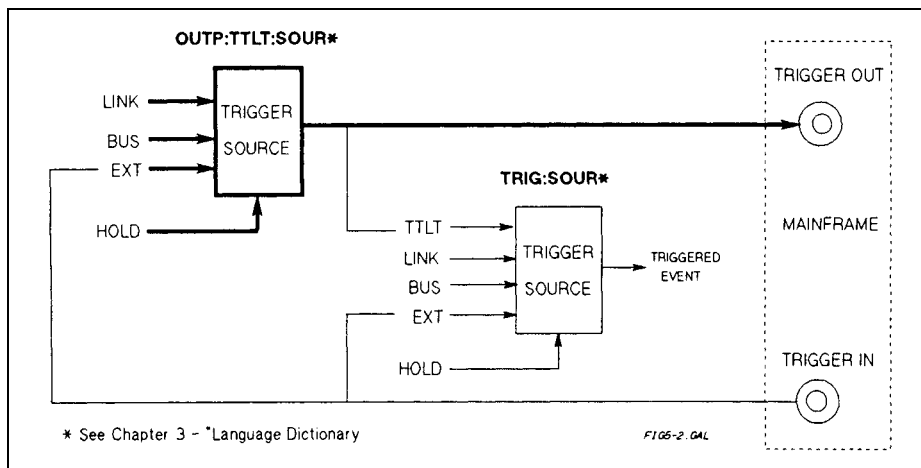


Figure 5-2. TTLT Trigger Model

List Subsystem

The List Subsystem commands allow you to program a sequence of voltage and/or current values that will be applied to the power module output when it is the list mode (**VOLTage:MODE LIST** or **CURRent:MODE LIST**). Up to 20 voltage and current values, with 20 associated time intervals (dwells), may be programmed. By using lists, you can program a complex sequence of power module outputs with minimal interaction between the controller and the power module. Lists allow you to time output changes more precisely or to better synchronize them (using triggers) with asynchronous events.

Basic Steps of List Sequencing

You can program the number of output levels (or points) in the list, the time interval that each level is maintained, the number of times that the list will be executed, and how the levels change in response to triggers. This is a synopsis of the list commands:

List Function	Command
Enable the voltage list function	VOLT:MODE LIST
Enable the current list function	CURR:MODE LIST
Specify the voltage output levels (points)	LIST:VOLT <NRF+>
Specify the current output levels (points)	LIST:CURR <NRF+>
Specify the time duration of each output level	LIST:DWEL <NRF+>
Specify the times the list is repeated	LIST:COUN <NRF+>
Select the list response to a trigger	LIST:STEP AUTO ONCE

Programming the List Output Levels

1. Enable the specific output to be controlled by the list. For example,

```
VOLT:MODE LIST
CURR:MODE LIST
```

2. Program the desired output levels or points. The order of the points determines the order in which the output levels will occur. To sequence the voltage through values of 1, 1.5, 3, 1.5, and 1 volts, program:

```
LIST:VOLT 1,1.5,3,1.5,1
```

You can specify lists for both voltage and current. For example:

```
LIST:VOLT 1,2,5,6,8
LIST:CURR 10,5,2,1.67,1.25
```

Both lists must have the same number of points. The exception is if a list has only a single point. In this case, the single-point list is treated as if it has the same number of points as the other list with each point equal to the programmed value.

For example, if you send:

```
LIST:VOLT 1,2,5,6,8;CURR 1
```

then the power module will respond as if the two lists were:

```
LIST:VOLT 1,2,5,6,8
LIST:CURR 1,1,1,1,1
```

Note

Execution of a list will be aborted if an **ABORT** command or an implied **ABORT** command (another list command, the ***RST** command or the ***RCL** command) is sent.

Programming List Intervals

The dwell time is the interval that the output remains at the programmed value. The time unit is seconds. The following command specifies five dwell intervals:

```
LIST:DWEL 1,1.5,3,1.5,.5
```

The number of dwell points must equal the number of output points:

```
LIST:VOLT 3.0,3.25,3.5,3.75
```

```
LIST:DWEL 10,10,25,40
```

The only exception is for a dwell list with one value, which gives the same interval to all the points in the corresponding voltage or current list.

Note Sending a **VOLT [: LEV: IMM]** or **CURR [: LEV: IMM]** command during an interval will override the list output value for that interval. When the next interval begins, the output will be determined by the list value for that interval.

Automatically Repeating a List

You can repeat a list by entering a **LIST: COUNT** parameter. The parameter determines how many times a list is executed or sequenced. Enter an integer or enter the value **INF** to make the list repeat indefinitely. For example, to make the current list 2,3,12,15 repeat 5 times, send:

```
LIST:CURR 2,3,12,15
```

```
LIST:COUN 5
```

The **LIST: COUNT** parameter is stored by ***SAV** and restored by ***RCL**. The GPIB ***RST** value is 1.

Triggering a List

No list will execute without a trigger. How the list responds to a trigger depends on how you program the **LIST: STEP AUTO | ONCE** command. The method you use will depend upon whether you want the list to be paced by dwell intervals or by triggers.

Dwell-Paced Lists

For a closely controlled sequence of output levels, you can use a dwell-paced list. Each list output point remains in effect for the dwell time associated with that point. When the dwell time expires, the output immediately changes to the next point in the list.

For dwell pacing, program **LIST: STEP** to **AUTO** (see Figure 5-3-A). The dwell-paced list requires only a single trigger to start the list. The trigger subsystem remains in the dwelling state until the list is completed. If **LIST: COUN** is greater than 1, the entire list is repeated until the count has been satisfied (see Figure 5-1-B).

Trigger-Paced Lists

If you need the output to closely follow asynchronous events, then a trigger-paced list is more appropriate. Program **LIST: STEP** to **ONCE** (see Figure 5-3-B). Now expiration of a dwell interval returns the trigger subsystem to the Initiated state. The subsystem then waits for a trigger to start the next dwell interval. During this time, the power module output remains at the level set by the last executed point in the list.

Note If the subsystem is not in the dwelling state, a **TRIGger [: IMMEDIATE]** command will sequence the next point in the list.

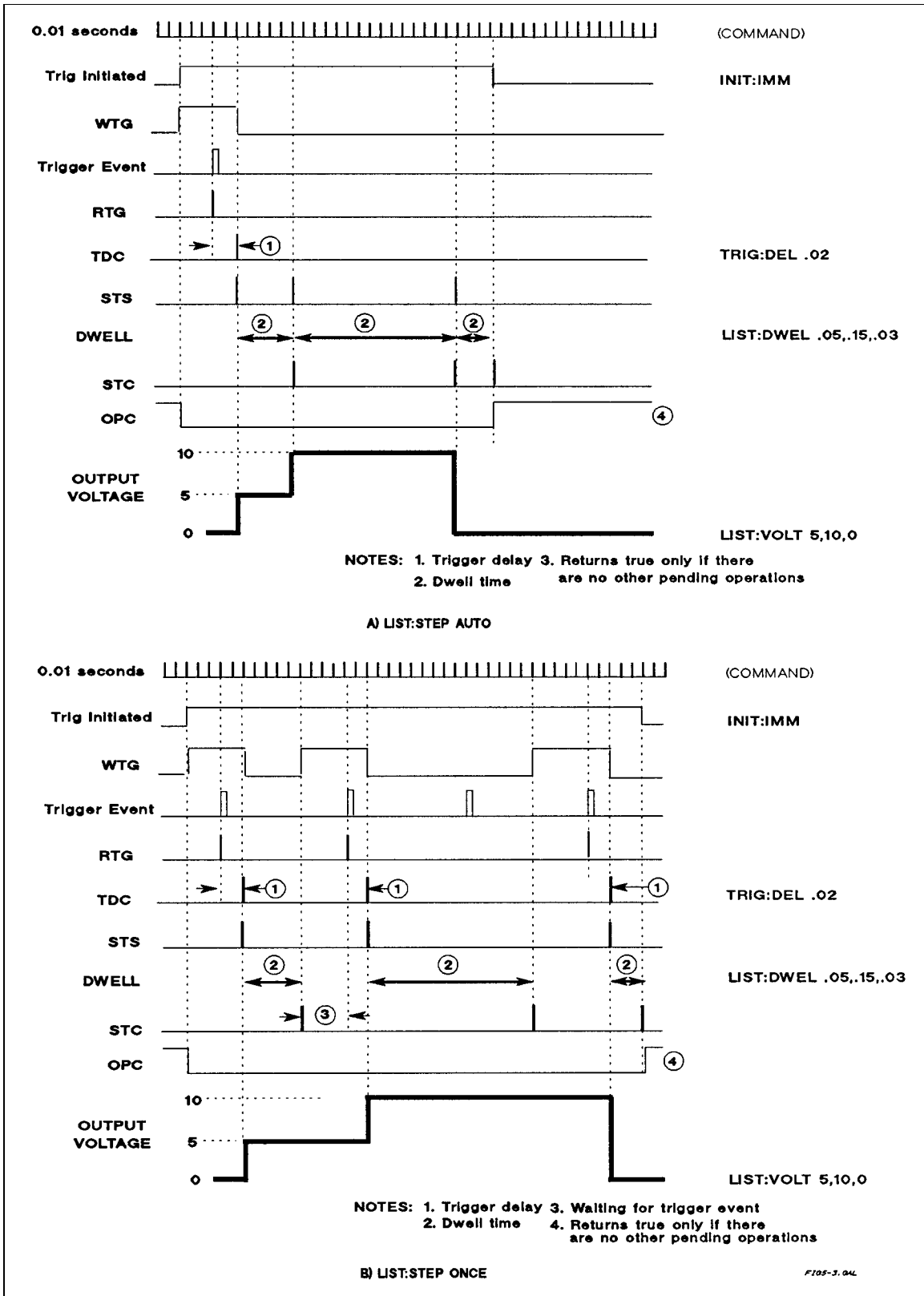


Figure 5-3. Timing diagrams of LIST:STEP Operation

DFI (Discrete Fault Indicator) Subsystem

Whenever a fault is detected in the power module, it is capable of generating a low-true TTL signal at the mainframe FLT jack for communication with external devices (see "INH/FLT Characteristics" in Chapter 1 of the Agilent 66000A Installation Guide for the electrical parameters). The source for the DFI signal can be any of the parameters of the **OUTPut:DFI:LINK** command (see Table 3-1). The **SUM3** link parameter allows any combination of Questionable, Operation, or Event status bits to generate the DFI signal. The GPIB ***RST** command sets the link parameter to **SUM3**.

RI (Remote Inhibit) Subsystem

Each power module is connected to the mainframe INH jack via a function selector switch. (See Chapter 2 of the Operating Guide for details concerning this switch.) When the switch is set to enable the RI function, a low-true TTL signal at the INH input will shut down the power module. This generates an RI status bit at the Questionable Status register (see "Chapter 4 - Status Reporting"). By programming the status subsystem, you may use RI to generate a service request (SRQ) to the controller and/or to create a DFI output at the mainframe FLT jack. By using RI/DFI in this way, you can chain the power modules to create a serial shutdown in response to the INH input.

SCPI Command Completion

SCPI commands sent to the power module are processed either sequentially or in parallel. Sequential commands finish execution before a subsequent command begins. A parallel command can begin execution while a preexisting command is still executing (overlapping commands). Commands that affect list and trigger actions are among the parallel commands.

There ***WAI**, ***OPC**, and ***OPC?** common commands provide different ways of indicating when all transmitted commands, including any parallel ones, have completed their operations. The syntax and parameters for these commands are described in "Chapter 3 - Language Dictionary". Some practical considerations for using these commands are as follows:

- | | |
|--------------|--|
| *WAI | This prevents the power module from processing subsequent commands until all pending operations are completed. If something prevents completion of an existing operation, *WAI can place the module and the controller in a "hang-up" condition. |
| *OPC? | This places a <i>1</i> in the Output Queue when all pending operations have completed. Because it requires your program to read the returned value from the queue before executing the next program statement, *OPC? could prevent subsequent commands from being executed. |
| *OPC | This sets the OPC status bit when all pending operations have completed. Since your program can read this status bit on an interrupt basis, *OPC allows subsequent commands to be executed. |

The trigger subsystem must be in the Idle state in order for the status OPC bit to be true. Therefore, as far as triggers and lists are concerned, OPC is false whenever the trigger subsystem is in the Initiated state. However, OPC is also false if there are any commands pending within any other subsystems. For example, if you send **CURR: TRIG 1 . 5** after a **VOLT:LIST** command, completion of the **CURR:TRIG** command will not set OPC if the list command is still executing.

Note For a detailed discussion of ***WAI**, ***OPC** and ***OPC?**, see "Device/Controller Synchronization Techniques" in *ANSI/IEEE Std. 488.2-1987*.

Error Messages

Power Module Hardware Error Messages

Front panel error messages resulting from selftest errors or runtime failures are described in the power module *User's Guide*.

System Error Messages

System error messages are read back via the **SYST:ERR?** query. The error number is the value placed in the power module error queue. **SYST:ERR?** returns the error number into a variable and combines the number and the error message into a string. Table 6-1 lists the system errors that are associated with SCPI syntax errors and interface problems. Information inside the brackets is not part of the standard error message, but is included for clarification. When system errors occur, the Standard Event Status register (see "Chapter 4 - Status Reporting") records them as follows:

Standard Event Status Register Error Bits

Bit Set	Error Code	Error Type	Bit Set	Error Code	Error Type
5	-100 thru -199	Command	3	-300 thru -399	Device-dependent
4	-200 thru -299	Execution	2	-400 thru -499	Query

Table 6-1. Summary of System Error Messages

Error Number	Error String [Description/Explanation/Examples]
-100	Command error [generic]
-101	Invalid character
-102	Syntax error [unrecognized command or data type]
-103	Invalid separator
-104	Data type error [e.g., "numeric or string expected, got block data"]
-105	GET not allowed
-108	Parameter not allowed [too many parameters]
-109	Missing parameter [too few parameters]
-112	Program mnemonic too long [maximum 12 characters]
-113	Undefined header [operation not allowed for this device]
-121	Invalid character in number [includes "9" in octal data, etc.]
-123	Numeric overflow [exponent too large; exponent magnitude >32 k]
-124	Too many digits [number too long; more than 255 digits received]
-128	Numeric data not allowed
-131	Invalid suffix [unrecognized units, or units not appropriate]
-138	Suffix not allowed
-141	Invalid character data [bad character, or unrecognized]
-148	Character data not allowed
-150	String data error
-151	Invalid string data [e.g., END received before close quote]
-158	String data not allowed
-161	Invalid block data [e.g., END received before length satisfied]
-168	Block data not allowed
-200	Execution error [generic]
-220	Parameter error

Table 6-1. Summary of System Error Messages (continued)

Error Number	Error String [Description/Explanation/Examples]
-222	Data out of range [e.g., too large for this device]
-223	Too much data [out of memory; block, string, or expression too long]
-241	Hardware missing [device-specific]
-310	System error
-330	Self-test failed
-350	Too many errors [errors lost due to queue overflow]
-400	Query error [generic]
-410	Query INTERRUPTED [query followed by DAB or GET before response complete]
-420	Query UNTERMINATED [addressed to talk, incomplete programming message received]
-430	Query DEADLOCKED [too many queries in command string]
-440	Query UNTERMINATED [after indefinite response]

SCPI Conformance Information

Note See *Chapter 3 - Language Dictionary* for command syntax.

SCPI Version

This power module conforms to Version 1990.0.

SCPI Confirmed Commands

ABOR CAL:AUT CAL:STAT DISP[:WIND][:STAT] DISP[:WIND][:STAT]? INIT[:IMM] INIT:CONT INIT:CONT? MEAS:CURR[:DC]? MEAS:VOLT[:DC]? OUTP[:STAT] OUTP[:STAT]? OUTP:PROT:CLE OUTP:PROT:DEL OUTP:PROT:DEL? OUTP:TTLT[:STAT] OUTP:TTLT[:STAT]? OUTP:TTLT:LINK OUTP:TTLT:LINK? OUTP:TTLT:SOUR OUTP:TTLT:SOUR? STAT:OPER[:EVEN]? STAT:OPER:COND? STAT:OPER:ENAB STAT:OPER:ENAB? STAT:OPER:NTR	STAT:OPER:NTR? STAT:OPER:PTR STAT:OPER:PTR? STAT:PRES STAT:QUES[:EVEN]? STAT:QUES:COND? STAT:QUES:ENAB STAT:QUES:ENAB? [SOUR]:CURR[:LEV][:IMM][:AMPL] [SOUR]:CURR[:LEV][:IMM][:AMPL]? [SOUR]:CURR[:LEV]:TRIG[:AMPL] [SOUR]:CURR[:LEV]:TRIG[:AMPL]? [SOUR]:CURR:MODE [SOUR]:CURR:MODE? [SOUR]:CURR:PROT:STAT [SOUR]:CURR:PROT:STAT? [SOUR]:LIST:COUN [SOUR]:LIST:COUN? [SOUR]:LIST:CURR [SOUR]:LIST:CURR:POIN? [SOUR]:LIST:DWEL? [SOUR]:LIST:DWEL:POIN? [SOUR]:LIST:STEP [SOUR]:LIST:STEP? [SOUR]:LIST:VOLT [SOUR]:LIST:VOLT:POIN?	[SOUR]:VOLT[:LEV][:IMM][:AMPL] [SOUR]:VOLT[:LEV][:IMM][:AMPL]? [SOUR]:VOLT[:LEV]:TRIG[:AMPL] [SOUR]:VOLT[:LEV]:TRIG[:AMPL]? [SOUR]:VOLT:MODE [SOUR]:VOLT:MODE? [SOUR]:VOLT:PROT[:LEV] [SOUR]:VOLT:PROT[:LEV]? SYST:ERR? SYST:VERS? TRIG[:STAR][:IMM] TRIG:DEL TRIG:DEL? TRIG:LINK TRIG:LINK? TRIG:SOUR TRIG:SOUR? *CLS *ESE *ESE? *ESR? *IDN? *OPC *OPC? *OPT? *PSC *PSC? *RCL *RST *SAV *SRE *STB? *TRG *TST? *WAI
---	--	--

SCPI Approved Commands

(None)

Non-SCPI Commands

CAL:CURR	OUTP:DFI:SOUR?
CAL:PASS	OUTP:REL[:STAT]
CAL:SAVE	OUTP:REL[:STAT]?
CAL:VOLT	OUTP:REL:POL
OUTP:DFI[:STAT]	OUTP:REL:POL?
OUTP:DFI[:STAT]?	[SOUR]:LIST:STEP
OUTP:DFI:LINK	[SOUR]:LIST:STEP?
OUTP:DFI:LINK?	[SOUR]:VOLT:SENS?
OUTP:DFI:SOUR	

Application Programs

This section contains seven example applications. For each application, there is:

- An overview of the application.
- Which MPS features are used to implement the application.
- The advantages and benefits of the MPS solution.
- The details of the implementation of the solution.
- A block diagram of the setup.
- A sample program listing in Agilent BASIC.
- A description of variations on the application.

The following table lists what MPS features are used in each of the applications. It can be used as an index into this section.

Application 1. Sequencing Multiple Modules During Power Up

Application 2. Sequencing Multiple Modules to Power Down on Event

Application 3. Controlling Output Voltage Ramp Up at Turn On

Application 4. Providing Time-Varying Voltages

Application 5. Providing Time-Varying Current Limiting

Application 6. Output Sequencing Paced by the Computer

Application 7. Output Sequencing Without Computer Intervention

	Application						
	1	2	3	4	5	6	7
Lists							
20-point current List					•		
20-point voltage List			•	•		•	•
Repetitive Lists				•			
Dwell time			•	•	•		•
List Pacing							
Dwell-paced Lists			•	•	•		
Trigger-paced Lists						•	•
Actions Due To A Change In Status							
Generate an SRQ				•			•
Generate a trigger		•					•
Disable the output				•	•		
Stop the List				•	•		
Triggers							
Change the voltage on trigger	•	•			•		
Trigger in/out from MPS backplane TTL Trigger	•	•				•	•
Trigger on a GPIB trigger command	•			•	•	•	•
Trigger delay	•	•					
Other Features							
Active downprogramming		•		•	•		
Overcurrent protection				•	•		

Application 1. Sequencing Multiple Modules During Power Up

Overview of Application

When testing mixed signal devices, \pm bias supply voltages are typically applied before logic bias supply voltages. For a device that is sensitive to when bias voltages are applied, the order of power up of multiple power modules can be controlled.

For this example, the device requires three bias supplies, + 5 V for the logic circuits and \pm 15 V for amplifier circuits. To properly power up the device, the supplies must be sequenced so that the \pm 15 V are applied first and the + 5 V is applied 50 ms later.

The MPS can easily address this application through the use of triggers. The trigger will cause the modules to change from 0 V, where they are not powering the DUT, to their final voltage. By delaying the response to the trigger, you can control when the module's output voltage changes. This means you can control the sequence of the modules during power up.

MPS Features Used

- Change the voltage on trigger.
- Trigger in/out from MPS mainframe backplane TTL Trigger.
- Trigger on a GPIB trigger command Trigger delay.
- Trigger delay.

Advantages/Benefits Of The MPS Solution

By using trigger delay, the timing is accurate and repeatable.
The sequence is simpler to program (no timing loops).
The computer is not devoted to sequencing power modules.
The computer does not provide timing for the sequence.
One command initiates the sequence.

Implementation Details

How the MPS Implements The Sequence

The computer sends a trigger command to the first module.
The first module simultaneously sends a backplane trigger to other two modules and goes to + 15 V.
The second module receives the backplane TTL Trigger and immediately goes to - 15 V.
The third module receives the backplane TTL Trigger, delays 50 ms, and then goes to + 5 V.

MPS Set Up

Module in slot 0:

The module is connected to + 15 V on the DUT.
The initial voltage setting is 0 V.
The module listens for the computer to send a trigger command.
Upon receipt of the trigger command, the module goes to 15 V.
Also upon receipt of the trigger command, the module generates a backplane TTL Trigger.

Module in slot 1:

The module is connected to - 15 V on the DUT.
The initial voltage setting is 0 V.
The module listens for a backplane TTL Trigger.
Upon receipt of the trigger, the module goes to 15 V.

Module in slot 2:

The module is connected to + 5 V on the DUT.

The initial voltage setting is 0 V.

The module listens for a backplane TTL Trigger.

The trigger delay is programmed to 50 ms.

Upon receipt of the trigger, the module waits the trigger delay time and then goes to 5 V.

Variations On This Implementation

1. The modules could be set to generate SRQ when the last module (+ 5 V) reaches its final output value. This would notify the computer that power has been applied to the DUT and the testing can begin.
2. To provide a delay between the application of the + 15 V and the - 15 V bias, you can program different trigger delays into modules 2 and 3. The delay time will be relative to the module in slot 0.
3. To get all three modules to apply power to the DUT at the same time, simply eliminate the trigger delay on the + 5 V module.
4. When modules need to be connected in parallel to increase current, they will also need to be synchronized so that they all apply power simultaneously. To get modules in parallel to apply power at the same time, use the approach described in this example, but eliminate any trigger delays.

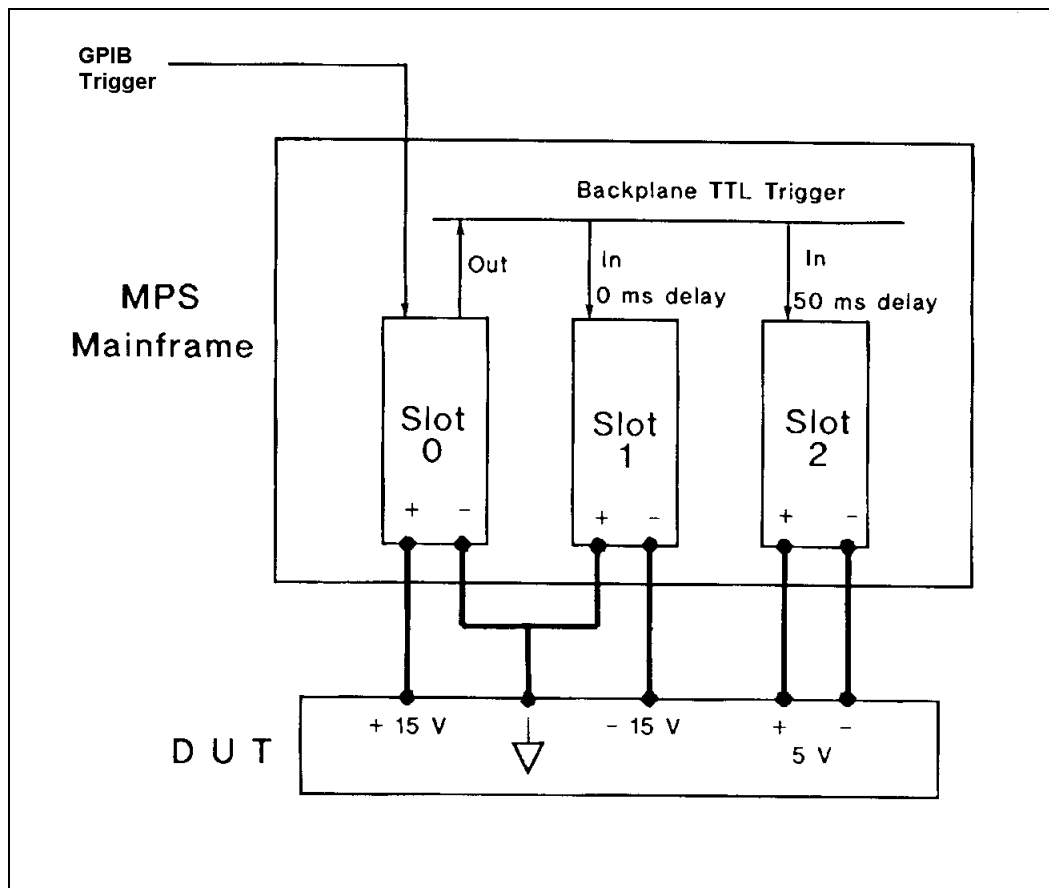


Figure B1-1. Block Diagram of Application #1

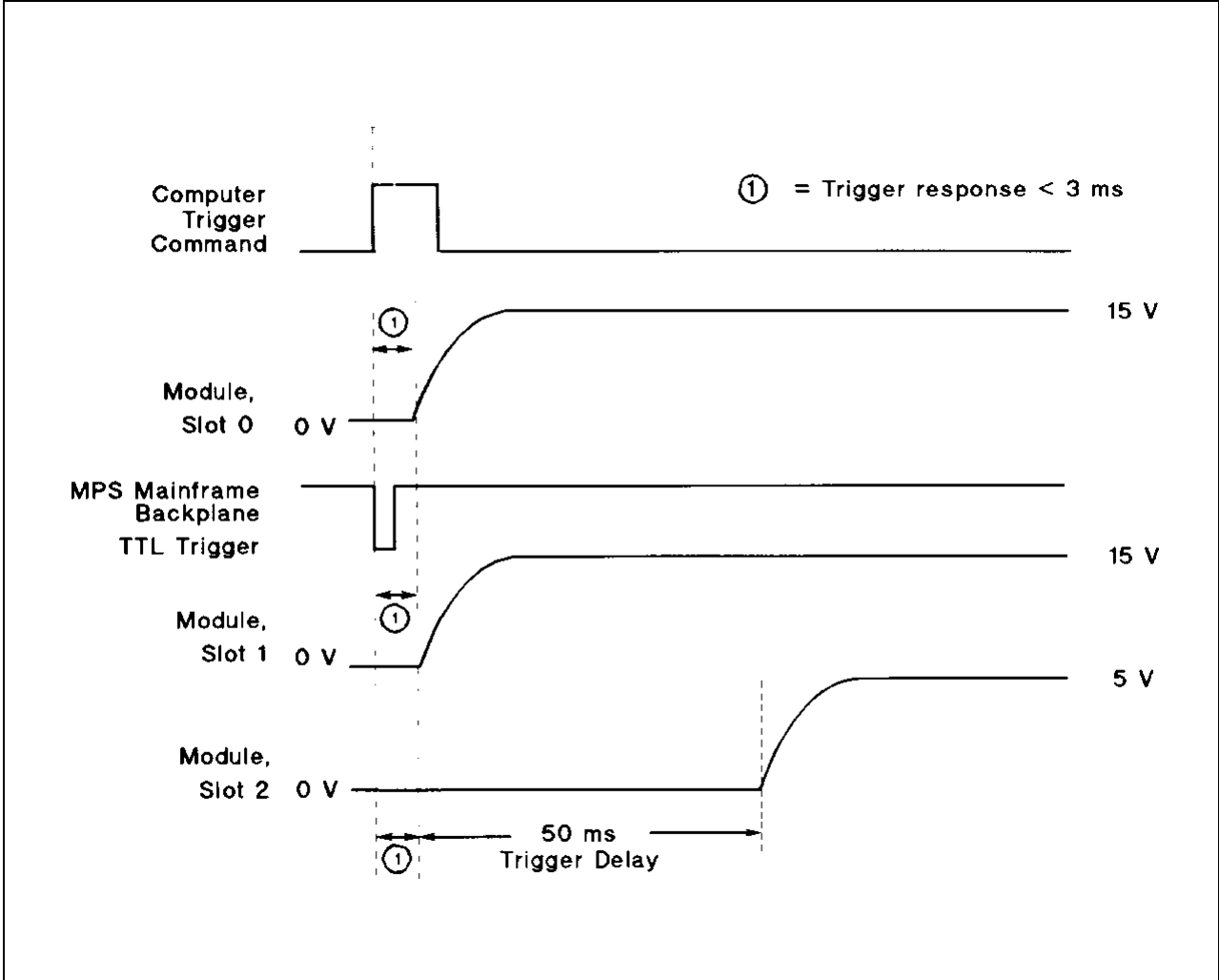


Figure B1-2. Timing Diagram of Application #1

```

10      ! APPLICATION #1: SEQUENCING MULTIPLE MODULES DURING POWER UP
20      ! PROGRAM: APP_1
30      !
40      ASSIGN @Slot0 TO 70500          ! SELECT CODE 7, MAINFRAME ADDRESS 05, SLOT 00
50      ASSIGN @Slot1 TO 70501          ! SELECT CODE 7, MAINFRAME ADDRESS 05, SLOT 01
60      ASSIGN @Slot2 TO 70502          ! SELECT CODE 7, MAINFRAME ADDRESS 05, SLOT 02
70      !
80      ! SET UP MODULE IN SLOT 0 AS +15 V BIAS SUPPLY -----
90      1
100     OUTPUT@Slot0;"*RST;*CLS;STATUS:PRESET" ! RESET AND CLEAR MODULE
110     OUTPUT@Slot0;"VOLT 0"                ! START AT 0 V
120     OUTPUT@Slot0;"VOLT:TRIGGERED 15"     ! GO TO 15 V ON TRIGGER
130     OUTPUT@Slot0;"TRIGGER:SOURCE BUS"    ! TRIGGER SOURCE IS Agilent -18 'BUS'
140     OUTPUT@Slot0;"OUTPUT:TTLTRG:SOURCE BUS" ! GENERATE BACKPLANE TTL TRIGGER WHEN GPIB 'BUS' TRIGGER IS
                                           RECEIVED
150     OUTPUT@Slot0;"OUTPUT:TTLTRG:STATE ON" ! ENABLE BACKPLANE TTL TRIGGER DRIVE
160     OUTPUT@Slot0;"OUTPUT ON"            ! ENABLE OUTPUT
170     OUTPUT@Slot0;"INITIATE"             ! ENABLE RESPONSE TO TRIGGER
180     !
190     ! SET UP MODULE IN SLOT 1 AS -15 V BIAS SUPPLY -----
200     1
210     OUTPUT@Slot1;"*RST;*CLS;STATUS:PRESET" ! RESET AND CLEAR MODULE
220     OUTPUT@Slot1;"VOLT 0"                ! START AT 0 V
230     OUTPUT@Slot1;"VOLT:TRIGGERED 15"     ! GO TO 15 V ON TRIGGER
240     OUTPUT@Slot1;"TRIGGER:SOURCE TTLTRG" ! TRIGGER SOURCE IS BACKPLANE TTL TRIGGER
250     OUTPUT @Slot1;"OUTPUT ON"           ! ENABLE OUTPUT
260     OUTPUT @Slot1;"INITIATE"            ! ENABLE RESPONSE TO TRIGGER
270     !
280     ! SET UP MODULE IN SLOT 2 AS +5 V BIAS SUPPLY -----
290     !
300     OUTPUT @Slot2;"*RST;*CLS;STATUS:PRESET" ! RESET AND CLEAR MODULE
310     OUTPUT @Slot2;"VOLT 0"                ! START AT 0 V
320     OUTPUT @Slot2;"VOLT:TRIGGERED 5"     ! GO TO 5 V ON TRIGGER
330     OUTPUT @Slot2;"TRIGGER:SOURCE TTLTRG" ! TRIGGER SOURCE IS BACKPLANE TTL TRIGGER
340     OUTPUT @Slot2;"TRIGGER:DELAY 0.050"  ! 50 ms TRIGGER DELAY
350     OUTPUT @Slot2;"OUTPUT ON"           ! ENABLE OUTPUT
360     OUTPUT @Slot2;"INITIATE"            ! ENABLE RESPONSE TO TRIGGER
370     !
380     ! BEFORE TRIGGERING THE MODULES, DETERMINE IF THE MODULES ARE READY BY CHECKING FOR
390     ! 'WAITING FOR TRIGGER' (BIT 5 OF THE OPERATION STATUS REGISTER). IF THE LAST MODULE PROGRAMMED
400     ! IS READY THEN SO ARE THE OTHERS, SO JUST CHECK SLOT 2.
410     !
420     !     YOU COULD ELIMINATE THIS STEP BY SIMPLY INSERTING A PAUSE IN THE PROGRAM.  HOWEVER, BY
430     !     CHECKING THE INSTRUMENT STATUS, YOU CAN AVOID TIMING PROBLEMS. ALSO, ANY OTHER OPERATIONS
440     !     THAT TAKE TIME WILL GIVE THE MODULES A CHANCE TO COMPLETE PROCESSING.
450     !
460     REPEAT
470     OUTPUT @Slot2;"STATUS:OPERATION:CONDITION?"
480     ENTER @Slot2;Condition_data
490     UNTIL BIT(Condition_data,5)          ! TEST FOR BIT 5 = TRUE
500     !
510     ! TRIGGER MODULE IN SLOT 0 TO BEGIN SEQUENCING THE 3 MODULES TO POWER UP
520     !
530     OUTPUT @Slot0;"*TRG"                ! SEND Agilent -1B 'BUS' TRIGGER
540     !
550     END

```

Figure B1-3. Agilent BASIC Program Listing for Application #1

Application 2. Sequencing Multiple Modules to Power Down on Event

Overview Of Application

When testing devices, such as some GaAs and ECL devices that are sensitive to when bias voltages are removed, the order of power-down of multiple power modules can be controlled. The power-down sequence can be initiated by an event, such as a change in power module status, fault condition, detection of a TTL signal, etc.

For this example, there are three supplies + 5 V and ± 15 V. (See previous application for how to generate a power up sequence.) Once the power has been applied to the DUT, the modules can be reprogrammed to perform the power down sequence. The power down sequence is initiated when a fault in the DUT draws excessive current from the power module, causing the module to change from CV to CC. To prevent damage to the DUT, it is necessary to remove the + 5 V first, then the ± 15 V modules 15 ms later.

Once again, MPS triggering can solve the application. In this scenario, the CV-to-CC crossover event will be used as the trigger source. The trigger will cause the modules, in the correct order, to change from their programmed voltages down to 0 V.

MPS Features Used

- Generate a trigger on a change in internal status.
- Change the voltage on trigger.
- Trigger in/out from MPS mainframe backplane TTL Trigger o Trigger delay.
- Active downprogramming.

Advantages/Benefits Of The MPS Solution

By using the modules' change in status to automatically generate a trigger, the computer is not devoted to polling the modules to detect a change in state.

By letting each module monitor its status, the CC condition will generate a response faster than if the computer was polling the module to detect a change in state.

The sequence is simpler to program (no timing loops).

By using trigger delay, the timing is accurate and repeatable because the computer does not provide timing for the sequence.

The active downprogrammers in the module output can quickly discharge the module's output capacitors and any capacitance in the DUT.

Implementation Details

How The MPS Implements The Solution

All modules are set to listen for a backplane TTL Trigger.

When any module detects a change in status from CV to CC, it sends out a backplane TTL Trigger.

When the + 5 V module receives the trigger, it immediately goes to 0 V.

When the + 15 V and - 15 V modules receive the trigger, they wait the trigger delay time and then go to 0 V.

Note Any module can generate both the backplane TTL Trigger signal and be triggered by that same signal.

MPS Set Up

Module in slot 0:

The module is connected to + 15 V on the DUT.

The initial voltage setting is 15 V.

The module monitors its status.

The module will generate a backplane TTL Trigger on CV-to-CC crossover.

The module listens for a backplane TTL Trigger.

The trigger delay is programmed to 15 ms.

Upon receipt of the trigger, the module waits the trigger delay time and then goes to 0 V.

Module in slot 1:

The module is connected to supply - 15 V to the DUT.

The initial voltage setting is 15 V

The module monitors its status.

The module will generate a backplane TTL Trigger on CV-to-CC crossover.

The module listens for backplane TTL Trigger.

The trigger delay is programmed to 15 ms.

Upon receipt of the trigger, the module waits the trigger delay time and then goes to 0 V.

Module in slot 2.

The module is connected to supply + 5 V to the DUT.

The initial voltage setting is 5 V.

The module monitors its status.

The module will generate a backplane TTL Trigger on CV-to-CC crossover.

The module listens for backplane TTL Trigger.

Upon receipt of the trigger, the module immediately goes to 0 V.

Variations On This Implementation

1. The modules could be set to generate SRQ when the last module reaches 0 V. This could notify the computer that power has been removed from the DUT.
2. The modules could be set to generate a DFI (Discrete Fault Indicator) signal on the MPS rear panel on a change in status. This signal could be used to shut down other power modules, to flash an alarm light, or to sound a buzzer. This could also be routed to other instruments to signal them to stop making measurements.
3. To get all three modules to remove power from the DUT at the same time, simply eliminate the trigger delay on the ± 15 V modules.
4. To provide a delay between the removal of the three bias voltages, you can program a different trigger delay into each module.

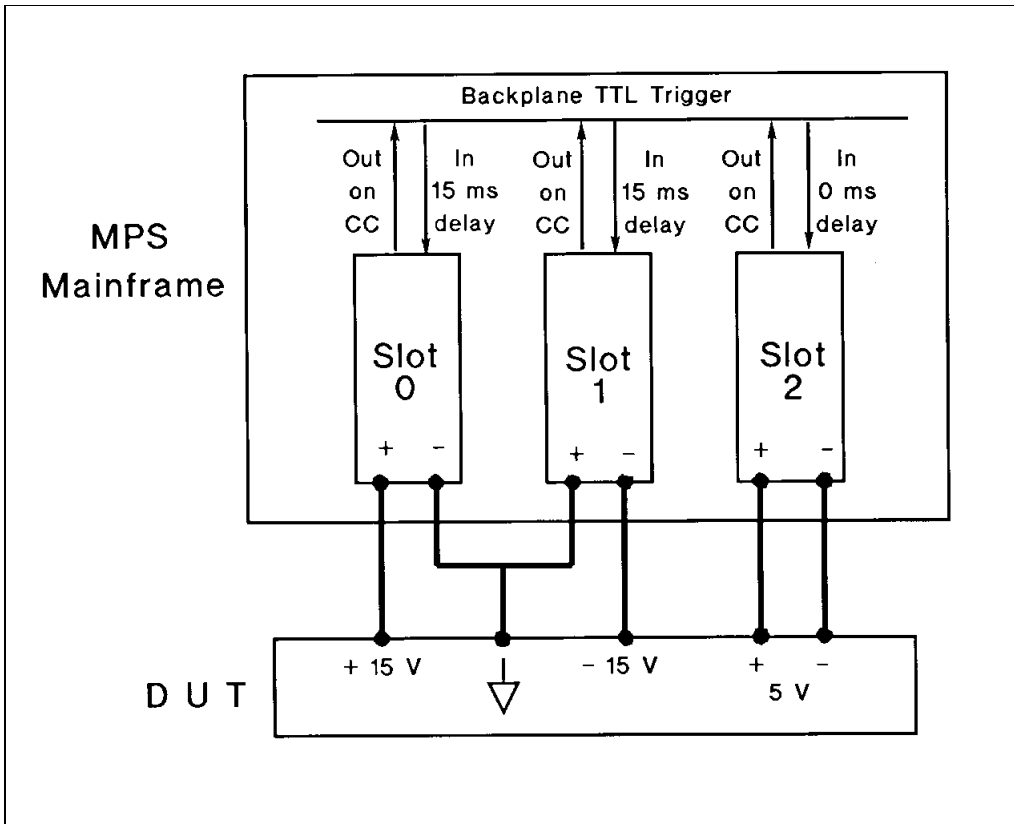


Figure B2-1. Block Diagram of Application #2

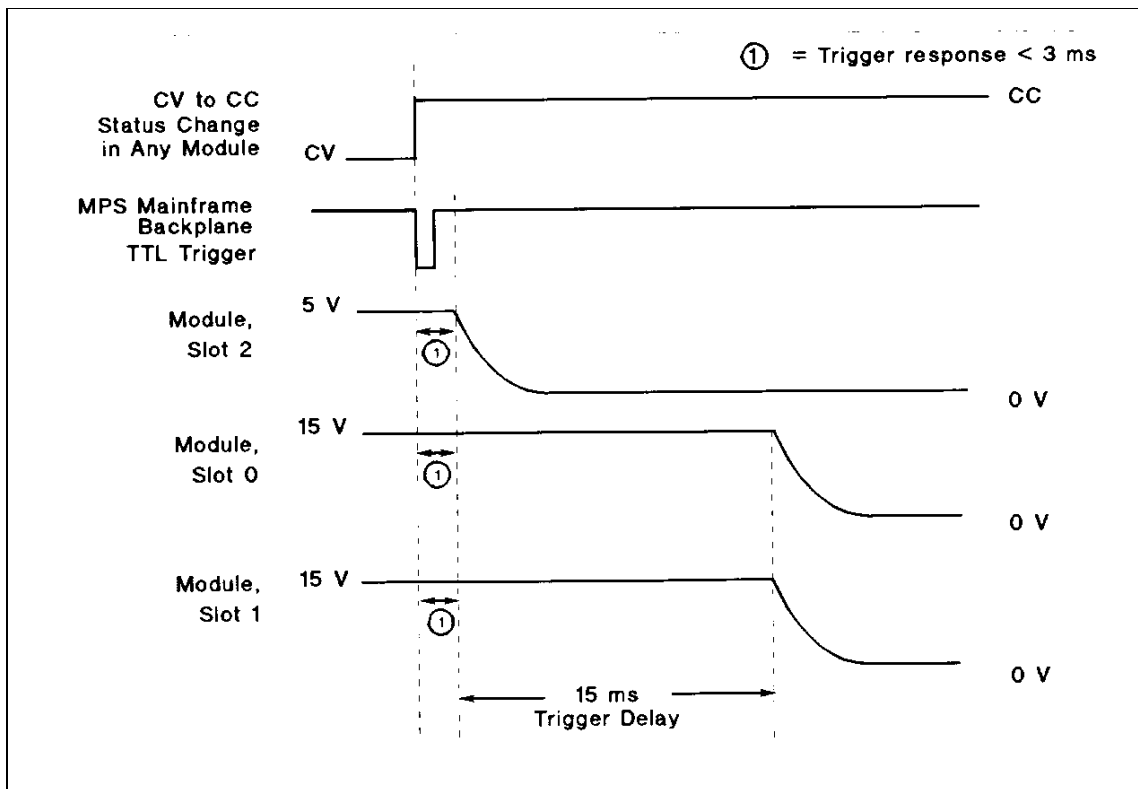


Figure B2-2. Timing Diagram of Application #2

```

10      ! APPLICATION #2: SEQUENCING MULTIPLE MODULES TO POWER DOWN ON EVENT
20      ! PROGRAM: APP_2
30      !
40      ASSIGN @Slot0 TO 70500          ! SELECT CODE 7, MAINFRAME ADDRESS 05, SLOT 00
50      ASSIGN @Slot1 To 70501         ! SELECT CODE 7, MAINFRAME ADDRESS 05, SLOT 01
60      ASSIGN @Slot2 TO 70502         ! SELECT CODE 7, MAINFRAME ADDRESS 05, SLOT 02
70      !
80      ! SET UP MODULE IN SLOT 0 AS +15 V BIAS SUPPLY -----
90      !
100     OUTPUT @Slot0;"*RST;*CLS;STATUS:PRESET" ! RESET AND CLEAR MODULE
110     OUTPUT @Slot0;"CURR .5"
120     OUTPUT @Slot0;"VOLT 15"         ! START AT 15 V
130     OUTPUT @Slot0;"VOLT:TRIGGERED 0" ! GO TO 0 V ON TRIGGER
140     OUTPUT @Slot0;"TRIGGER:SOURCE TTLTRG" ! TRIGGER SOURCE IS TTL TRIGGER
150     OUTPUT @Slot0;"TRIGGER:DELAY .015" ! 15 ms TRIGGER DELAY
160     OUTPUT @Slot0;"INITIATE"        ! ENABLE RESPONSE TO TRIGGER
170     OUTPUT @Slot0;"OUTPUT:TTLTRG:SOURCE LINK" ! GENERATE A BACKPLANE TTL TRIGGER
180     OUTPUT @Slot0;"OUTPUT:TTLTRG:LINK 'CC' " ! WHEN A CV-TO-CC TRANSITION OCCURS
190     OUTPUT @Slot0;"OUTPUT:TTLTRG:STATE ON" ! ENABLE TTL TRIGGER DRIVE
200     OUTPUT @Slot0;"OUTPUT ON"       ! ENABLE OUTPUT
210     !
220     ! SET UP MODULE IN SLOT 1 AS -15 V BIAS SUPPLY -----
230     !
240     OUTPUT @Slot1;"*RST;*CLS;STATUS:PRESET" ! RESET AND CLEAR MODULE
250     OUTPUT @Slot1;"CURR .5"
260     OUTPUT @Slot1;"VOLT 15"         ! START AT 15 V
270     OUTPUT @Slot1;"VOLT:TRIGGERED 0" ! GO TO 0 V ON TRIGGER
280     OUTPUT @Slot1;"TRIGGER:SOURCE TTLTRG" ! TRIGGER SOURCE IS BACKPLANE TTL TRIGGER
290     OUTPUT @Slot1;"TRIGGER:DELAY .015" ! 15 ms TRIGGER DELAY
300     OUTPUT @Slot1;"INITIATE"        ! ENABLE RESPONSE TO TRIGGER
310     OUTPUT @Slot1;"OUTPUT:TTLTRG:SOURCE LINK" ! GENERATE A BACKPLANE TTL TRIGGER
320     OUTPUT @Slot1;"OUTPUT:TTLTRG:LINK 'CC' " ! WHEN A CV-TO-CC TRANSITION OCCURS
330     OUTPUT @Slot1;"OUTPUT:TTLTRG:STATE ON" ! ENABLE TTL TRIGGER DRIVE
340     OUTPUT @Slot1;"OUTPUT ON"       ! ENABLE OUTPUT
350     !
360     ! SET UP MODULE IN SLOT 2 AS +5 V BIAS SUPPLY -----
370     !
380     OUTPUT @Slot2;"*RST;*CLS;STATUS:PRESET" ! RESET AND CLEAR MODULE
390     OUTPUT @Slot2;"CURR .5"
400     OUTPUT @Slot2;"VOLT 5"          ! START AT 5 V
410     OUTPUT @Slot2;"VOLT:TRIGGERED 0" ! GO TO 0 V ON TRIGGER
420     OUTPUT @Slot2;"TRIGGER:SOURCE TTLTRG" ! TRIGGER SOURCE IS BACKPLANE TTL TRIGGER
430     OUTPUT @Slot2;"INITIATE"        ! ENABLE RESPONSE TO TTL TRIGGER
440     OUTPUT @Slot2;"OUTPUT:TTLTRG:SOURCE LINK" ! GENERATE A BACKPLANE TTL TRIGGER
450     OUTPUT @Slot2;"OUTPUT:TTLTRG:LINK 'CC' " ! WHEN A CV-TO-CC TRANSITION OCCURS
460     OUTPUT @Slot2;"OUTPUT:TTLTRG:STATE ON" ! ENABLE TTL TRIGGER DRIVE
470     OUTPUT @Slot2;"OUTPUT ON"       ! ENABLE OUTPUT
480     !
490     ! THE POWER MODULES ARE NOW SET UP TO IMPLEMENT THE POWER DOWN ON EVENT.
500     ! ANY TIME ANY MODULE GOES INTO CC, THE SEQUENCE WILL OCCUR.
510     !
520     END

```

Figure B2-3. Agilent BASIC Program Listing for Application #2

Application 3. Controlling Output Voltage Ramp Up at Turn On

Overview Of Application

When control over the rate of voltage ramp up at turn-on of the power module output is required, the desired shape can be approximated by downloading and executing a series of voltage and dwell time points.

For this example, you need to program the power module to change its output from 2 volts to 10 volts, slewing through the 8 volt transition in 0.5 seconds. This results in a turn-on ramp-up of 16 V per second.

The MPS can create this voltage versus time characteristic using Lists. The desired characteristic (in this case, linear) is simulated using the 20 available voltage points. To determine the value of each point in the transition, simply divide the change in voltage by 20. To determine the dwell time of each voltage point, divide the total transition time by 19. After the List has been executed, the module will continue to output the final value (in this case, 10 volts) until the output has been reprogrammed to another value. Note that the dwell-time of the last point is not part of the transition time.

To determine the slowest ramp up (longest transition time) that can be generated, you must consider how smooth you need the voltage versus time characteristic to be. As the dwell time associated with each point gets longer, the output voltage will become more like a "stair step" and less like a linear transition. (see Figure B3-1)

To determine the fastest ramp up (shortest transition time) that can be generated, you must consider the minimum dwell time specification (10 ms) and the maximum risetime of specification the power module (20 ms). If you program 10 ms dwell times, the power module will not be able to reach its output voltage before the next voltage point is output. (see Figure B3-2)

MPS Features Used

- 20-point voltage List.
- Dwell time.
- Dwell-paced Lists.

Advantages/Benefits Of The MPS Solution

By using Lists, the module changes its output voltage automatically, so that the computer is not devoted to reprogramming the output voltage.

The outputs can change faster when dwell paced than when the computer must explicitly reprogram each change.

The sequence is simpler to program (no timing loops). By using dwell times, the timing of each point is accurate and repeatable.

The computer does not provide timing for the sequence. For negative-going ramps, the active downprogrammers in the module output can quickly discharge the module's output capacitors and any capacitance in the DUT when negative going ramps are required.

Implementation Details

How the MPS Implements The Sequence

The module is programmed to List mode.

The module will execute a dwell-paced List.

The 20 voltage points are downloaded to the module.

The 20 dwell times are downloaded to the module.

When the transition must occur, the module is triggered by the computer.

The module output ramps under its own control.

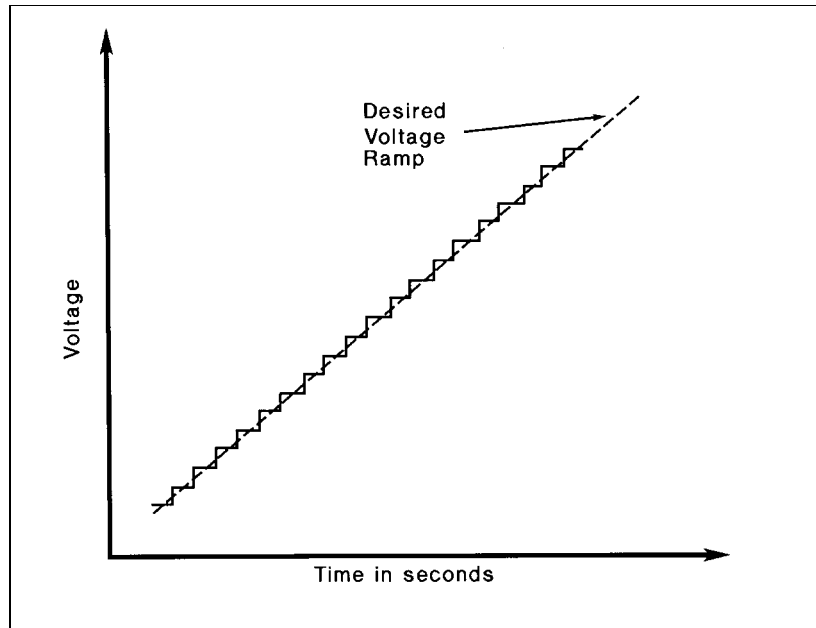


Figure B3-1. Simulating a Slow Voltage Ramp

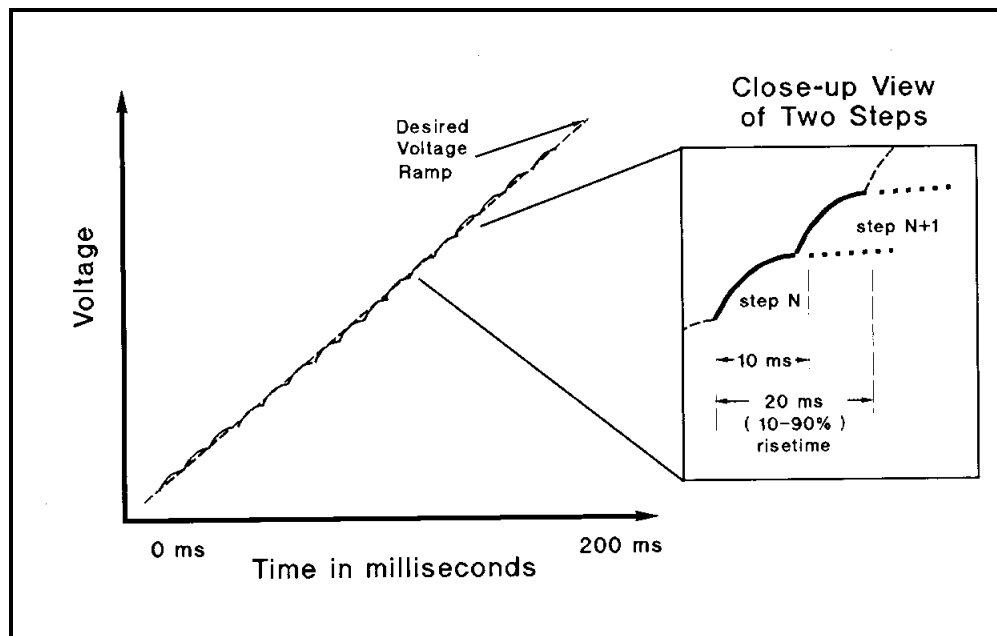


Figure B3-2. Simulating a Fast Voltage Ramp

Variations On This Implementation

1. The module could be set to begin ramping in response to an external or backplane TTL Trigger.
2. The module could be set to generate SRQ when it has finished its transition. This would notify the computer that the voltage is at the proper level.

3. The module could be set to generate an external trigger when it has finished its transition. This trigger could be routed to other instruments as a signal to start making measurements.
4. Multiple modules could be programmed to slew together in response to the computer trigger command.
5. The module could be set to generate an external trigger for each point in the transition. This trigger could be routed to other instruments as a signal to take a measurement at various supply voltages. (see application #7)
6. Many voltage versus time characteristics can be generated by varying the voltage values and the dwell times in the List.

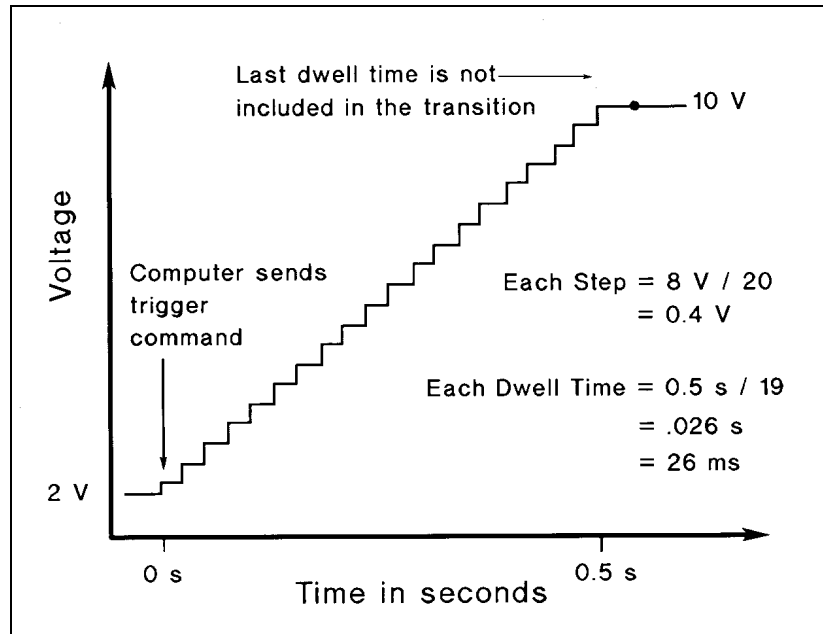


Figure 3-3. Generating the Desired Voltage Ramp for Application #3

```

10 ! APPLICATION #3: CONTROLLING VOLTAGE RAMP UP AT TURN ON
20 ! PROGRAM: APP_3
30 !
40 ASSIGN @Slot0 To 70500 ! SELECT CODE 7, MAINFRAME ADDRESS 05, SLOT 00
50 !
60 OPTION BASE 1
70 DIM V_Step(20) ! ARRAY TO HOLD THE VOLTAGE RAMP STEPS
80 Vstart=2 ! START VOLTAGE FOR RAMP
90 Vstop=10 ! STOP VOLTAGE FOR RAMP
100 Ramp_time=.5 ! SECONDS TO CHANGE FROM Vstart TO Vstop
110 Dwell=Ramp_time/19 ! IN SECONDS
120 !
130 ! SINCE THE OUTPUT STAYS AT THE LAST VOLTAGE POINT AFTER ITS DWELL TIME EXPIRES, THE DWELL TIME OF THE
140 ! LAST POINT IS NOT PART OF THE TRANSITION TIME. THEREFORE, DIVIDE THE TOTAL TIME BY 19 POINTS, NOT 20.
150 ! ALSO, YOU ONLY NEED TO DOWNLOAD 1 DWELL TIME. IF THE MODULE RECEIVES ONLY 1 DWELL TIME, IT ASSUMES
160 ! YOU WANT THE SAME DWELL TIME FOR EVERY POINT IN THE LIST.
170 !
180 FOR I=1 TO 20
190 V_step(I)=Vstart+(((Vstop-Vstart)/20)*I) ! CALCULATES VOLTAGE LIST POINTS
200 NEXT I
210 !
220 OUTPUT @Slot0;"*RST;*CLS;STATUS:PRESET" ! RESET AND CLEAR MODULE
230 OUTPUT @Slot0;"VOLT ";Vstart ! START RAMP AT Vstart
240 OUTPUT @Slot0;"CURR .1"
250 OUTPUT @Slot0;"OUTPUT ON" ! ENABLE OUTPUT
260 OUTPUT @Slot0;"VOLT:MODE LIST" ! SET TO GET VOLTAGE FROM LIST
270 OUTPUT @Slot0;"LIST:VOLT ";V_step(*) ! DOWNLOAD VOLTAGE POINTS
280 OUTPUT @Slot0;"LIST:DWELL ";Dwell ! DOWNLOAD 1 DWELL TIME
290 OUTPUT @Slot0;"LIST:STEP AUTO" ! DWELL-PACED LIST
300 OUTPUT @Slot0;"INITIATE" ! ENABLE TRIGGER TO START LIST
310 !
320 ! BEFORE TRIGGERING THE MODULE, DETERMINE IF IT IS READY BY CHECKING FOR
330 ! 'WAITING FOR TRIGGER' (BIT 5 OF THE OPERATION STATUS REGISTER).
340 !
350 ! YOU COULD ELIMINATE THIS STEP BY SIMPLY INSERTING A PAUSE IN THE PROGRAM. HOWEVER, BY
360 ! CHECKING THE INSTRUMENT STATUS, YOU CAN AVOID TIMING PROBLEMS. ALSO, ANY OTHER OPERATIONS
370 ! THAT TAKE TIME WILL GIVE THE MODULE A CHANCE TO COMPLETE PROCESSING.
380 !
390 REPEAT
400 OUTPUT @Slot0;"STATUS:OPERATION:CONDITION?"
410 ENTER @Slot0;Condition_data
420 UNTIL BIT(Condition_data,5) ! TEST FOR BIT 5 = TRUE
430 !
440 ! SEND TRIGGER COMMAND TO START LIST AND GENERATE THE VOLTAGE RAMP
450 !
460 OUTPUT @Slot0;"TRIGGER:IMMEDIATE" ! THIS IS AN IMMEDIATE TRIGGER, WHICH IS ALWAYS ACTIVE.
470 ! THEREFORE, IT DOES NOT NEED TO BE SELECTED AS A TRIGGER
SOURCE.
480 !
490 END

```

Figure B3-4. Agilent BASIC Program Listing for Application #3

Application 4. Providing Time-Varying Voltages

Overview of Application

To burn-in devices using thermal or mechanical cycling/stress, cyclical time-varying voltage is provided by programming a set of voltage and dwell time points that repetitively sequence over time.

For this example, the power module must provide the repetitive waveform shown in Figure B4-1. This time-varying voltage will be applied to a hybrid IC. By continually cycling the voltage from 0 to 7 volts over a 33 second interval, the hybrid is given time to heat up and undergo thermal and mechanical stress as the welds inside the hybrid expand and contract, and then subsequently cool down.

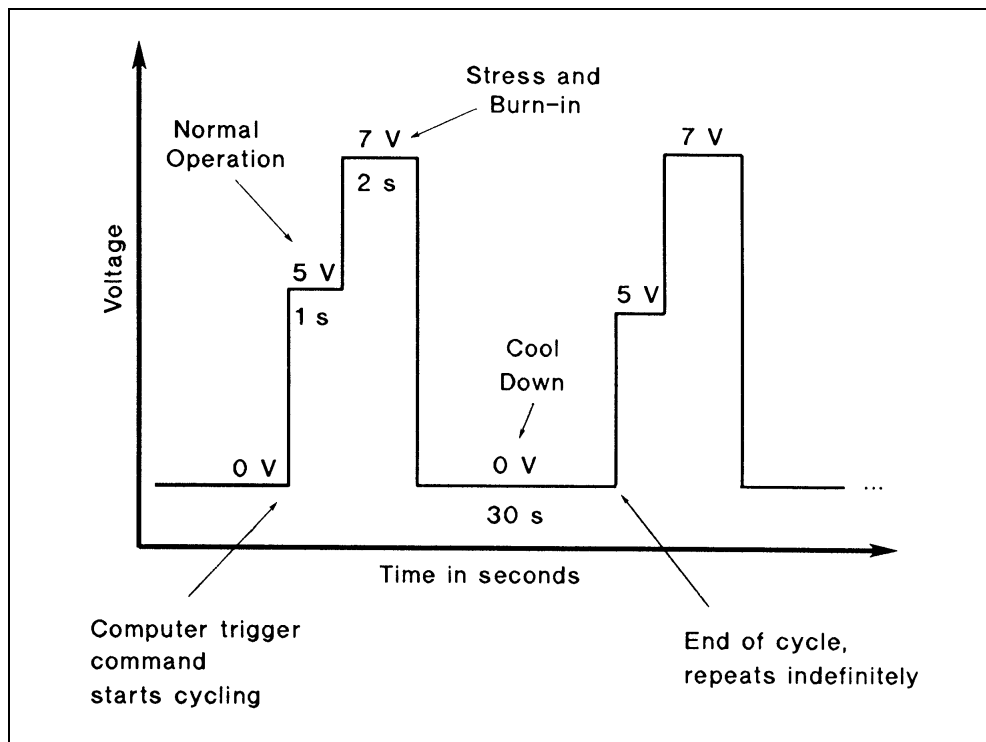


Figure B4-1. Voltage Waveform for Application #4

In addition to generating the cyclical voltage, it is desirable to have the power module notify the computer should the device fail and stop the cycling. Since the module is monitoring test status, the computer is free to perform other tests.

The MPS can address this application using dwell-paced repetitive Lists. This application could be thought of as a simple power arbitrary waveform generator. To get the desired time-varying voltage, you must be able to describe the waveform in 20 discrete voltage points, with each point ranging from 10 ms to 65 seconds. This range of dwell times determines the range of frequencies (or time rate of change) of the voltage waveform to be generated.

Once the waveform has been described, it is downloaded to the module. Upon being triggered, it will repetitively generate the waveform without computer intervention.

The module will also be set up to generate an SRQ and stop the voltage cycling of the hybrid should fail. If the hybrid fails by shorting, the module will go into CC. This change in status will cause the module to protect the DUT by disabling the output, which will stop the test and generate an SRQ. (Open circuit failures will not be detected. Since failures of this type are less likely to have destructive consequences, detection is not required.)

MPS Features Used

- 20-point voltage List.
- Repetitive Lists.
- Dwell time.
- Dwell-paced Lists.
- Generate an SRQ on a change in internal status.
- Disable the output on a change in internal status.
- Stop the List on a change in internal status.
- Trigger on a GPIB trigger command.
- Overcurrent protection.
- Active downprogramming.

Advantages/Benefits Of The MPS Solution

By using Lists, the module changes its output voltage automatically, so that the computer is not devoted to reprogramming the output voltage.

The output can change faster when dwell paced than when the computer must explicitly reprogram each change.

Overcurrent protection can disable the output before the DUT is damaged.

By letting each module monitor its status, the CC condition will be responded to faster than if the computer was responsible for stopping the test.

The sequence is simpler to program (no timing loops),

By using dwell times, the timing of each point is accurate and repeatable because the computer does not provide timing for the sequence.

When the output is disabled, the active downprogrammers in the module output can quickly discharge the module's output capacitors and any capacitance in the DUT.

Implementation Details

How The MPS Implements The Sequence

The module is programmed to List mode.

The module will execute a dwell-paced List.

The 3 voltage points are downloaded to the module.

The 3 dwell times are downloaded to the module.

To begin the cycling, the module is triggered by the computer.

The module continuously generates the voltage waveform.

The module continuously monitors its status.

If the module goes into CC, the overcurrent protection disables the output.

The module generates an SRQ when the overcurrent protection occurs.

Module set up

Set voltage mode to List.

Download voltage List.

Download dwell times.

Set Lists to dwell paced.

Set Lists to infinitely repeat.

Enable status monitoring of overcurrent condition.

Enable overcurrent protection.

Enable SRQ generation on overcurrent protection occurrence.

Variations On This Implementation

1. The module could be set to begin generating the waveform in response to an external or backplane TTL Trigger.
2. The module could be set to generate external triggers for each point in the List. This trigger could be routed to other instruments to synchronize external measurements to the change in voltage. (see application #7) Using this technique, parametric measurements could be made on the device during the thermal cycling.
3. Multiple modules could be programmed to cycle together in response to the computer trigger command.
4. To determine how many times the hybrid was cycled before it failed, you can use the SRQ (that was generated when the hybrid failed and the module went into CC) to timestamp the failure. The elapsed time will give the number of cycles executed.

```

10 ! APPLICATION #4: PROVIDING TIME-VARYING VOLTAGES
20 ! PROGRAM: APP_4
30 !
40 ASSIGN Slot0 TO 70500 ! SELECT CODE 7, MAINFRAME ADDRESS 05, SLOT 00
50 !
60 ! INITIALIZE THE MODULE
70 !
80 OUTPUT @Slot0;"RST;CLS;STATUS:PRESET" ! RESET AND CLEAR MODULE
90 OUTPUT @Slot0;"VOLT 0" ! START TEST AT 0 V
100 OUTPUT @Slot0;"CURR .1" ! SET CURRENT LIMIT
110 OUTPUT @Slot0;"OUTPUT ON" ! ENABLE OUTPUT
120 !
130 ! SET UP OVERCURRENT PROTECTION (OCP) AND GENERATE SRQ ON OCP TRIP
140 !
150 OUTPUT @Slot0;"CURRENT:PROTECTION:STATE ON" ! ENABLE OCP
160 OUTPUT @Slot0;"OUTPUT:PROTECTION:DELAY 0" ! NO DELAY BEFORE PROTECTION OCCURS
170 OUTPUT @Slot0;"STATUS:QUESTIONABLE:ENABLE 2" ! ENABLE DETECTION OF OC CONDITION IN THE
180 ! QUESTIONABLE REGISTER, WHERE OC = BIT 1 = VALUE 2.
190 OUTPUT @Slot0;"STATUS:QUESTIONABLE:PTRANSITION 2" ! ENABLES DETECTION ON POSITIVE TRANSITION, I.E.,
GOING INTO OC.
200 OUTPUT @Slot0;"SRE 8" ! ENABLES THE SERVICE REQUEST REGISTER TO GENERATE
210 ! AN SRQ WHEN ANY EVENT IN THE QUESTIONABLE REGISTER
220 ! IS ASSERTED. THE QUESTIONABLE REGISTER = BIT 3= VALUE 8.
230 !
240 ! SET UP THE VOLTAGE LIST
250 !
260 OUTPUT @Slot0;"VOLT:MODE LIST" ! SET TO GET VOLTAGE FROM LIST
270 OUTPUT @Slot0;"LIST:VOLT 5,7,0" ! DOWNLOAD VOLTAGE POINTS
280 OUTPUT @Slot0;"LIST:DWELL 1,2,30" ! DOWNLOAD DWELL TIMES
290 OUTPUT @Slot0;"LIST:STEP AUTO" ! DWELL-PACED LIST
300 OUTPUT @Slot0;"LIST:COUNT INF" ! CONTINUOUSLY REPEAT LIST (INF = INFINITE)
310 OUTPUT @Slot0;"INITIATE" ! ENABLE TRIGGER TO START LIST
320 !
330 !
340 ! BEFORE TRIGGERING THE MODULE, DETERMINE IF IT IS READY BY CHECKING FOR
350 ! 'WAITING FOR TRIGGER' (BIT 5 OF THE OPERATION STATUS REGISTER).
360
370 ! YOU COULD ELIMINATE THIS STEP BY SIMPLY INSERTING A PAUSE IN THE PROGRAM. HOWEVER, BY
380 ! CHECKING THE INSTRUMENT STATUS, YOU CAN AVOID TIMING PROBLEMS. ALSO, ANY OTHER OPERATIONS
390 ! THAT TAKE TIME WILL GIVE THE MODULE A CHANCE TO COMPLETE PROCESSING.
400 !
410 REPEAT
420 OUTPUT @Slot0;"STATUS:OPERATION:CONDITION?"
430 ENTER @Slot0;Condition_data
440 UNTIL BIT(Condition_data,5) ! TEST FOR BIT 5 = TRUE
450 !
460 ! SEND Agilent -1B TRIGGER COMMAND TO START LIST
470 !
480 OUTPUT @Slot0;"TRIGGER:IMMEDIATE" ! THIS IS AN IMMEDIATE TRIGGER, WHICH IS ALWAYS ACTIVE.
490 ! THEREFORE, IT DOES NOT NEED TO BE SELECTED AS A TRIGGER
SOURCE.
500 !
510 END

```

Figure B4-2. Agilent BASIC Programming Listing for Application #4

Application 5. Providing Time-Varying Current Limiting

Overview Of Application

To provide current limit protection which varies as a function of time, multiple thresholds on current limit are required. Having multiple thresholds can provide a high limit to protect the DUT during its power-up in-rush with automatic switchover to a lower limit to protect the DUT during its steady state operation.

For this example, the DUT is a printed circuit assembly. This assembly is being tested prior to installation in the end product. The module provides power to the assembly, which will undergo a functional test. The assembly has capacitors on-board, and when power is applied, the in-rush current approaches 4 A. After the capacitors charge, which takes about 500 milliseconds, the steady state current settles to 600 mA. See Figure B5-1.

The MPS can address this application using dwell-paced Lists. In this case, the List will consist of a set of current limits and dwell times, because the voltage will remain constant throughout the test.

Once power has been applied, the first current limit, which provides protection to a shorted DUT while still allowing high current in-rush to occur, will remain in effect for the dwell time. Then the current limit will switch to its next setting in the List. The result is a current limit which changes with time and provides protection as the DUT current requirements drop off to their steady state value. When the dwell time expires for the last current limit in the List, the current limit stays at this value until reprogrammed. Thus, the actual value of the last dwell time is not important. The last current List point would be the current limit for the steady state operation during the test of the DUT. See Figure B5-2 for how the MPS implements this protection.

Throughout List execution, overcurrent protection will be enabled. If at any time the module goes into CC, the output will be disabled, the test stopped, and the DUT protected.

MPS Features Used

- 20-point current List.
- Dwell time.
- Dwell-paced Lists.
- Disable the output on a change in internal status.
- Stop the List on a change in internal status.
- Change the voltage on trigger.
- Trigger on a GPIB trigger command.
- Overcurrent protection.
- Active downprogramming.

Advantages/Benefits Of The MPS Solution

By using Lists, the module changes its current limit automatically, so that the computer is not devoted to reprogramming the current limit.

The output can change faster when dwell paced than when the computer must explicitly reprogram each change.

Overcurrent protection can disable the output before the DUT is damaged.

By letting the modules monitor status, the CC condition will be responded to faster than if the computer was responsible for stopping the test.

The sequence is simpler to program (no timing loops).

By using dwell times, the timing of each point is accurate and repeatable because the computer does not provide timing for the sequence.

When the output is disabled, the active downprogrammers in the module output can quickly discharge the module's output capacitors and any capacitance in the DUT.

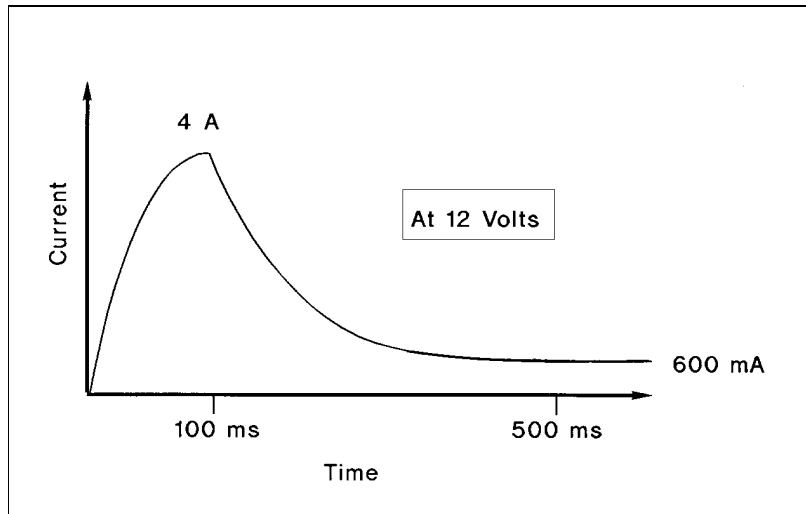


Figure B5-1. Typical DUT Current vs. Time

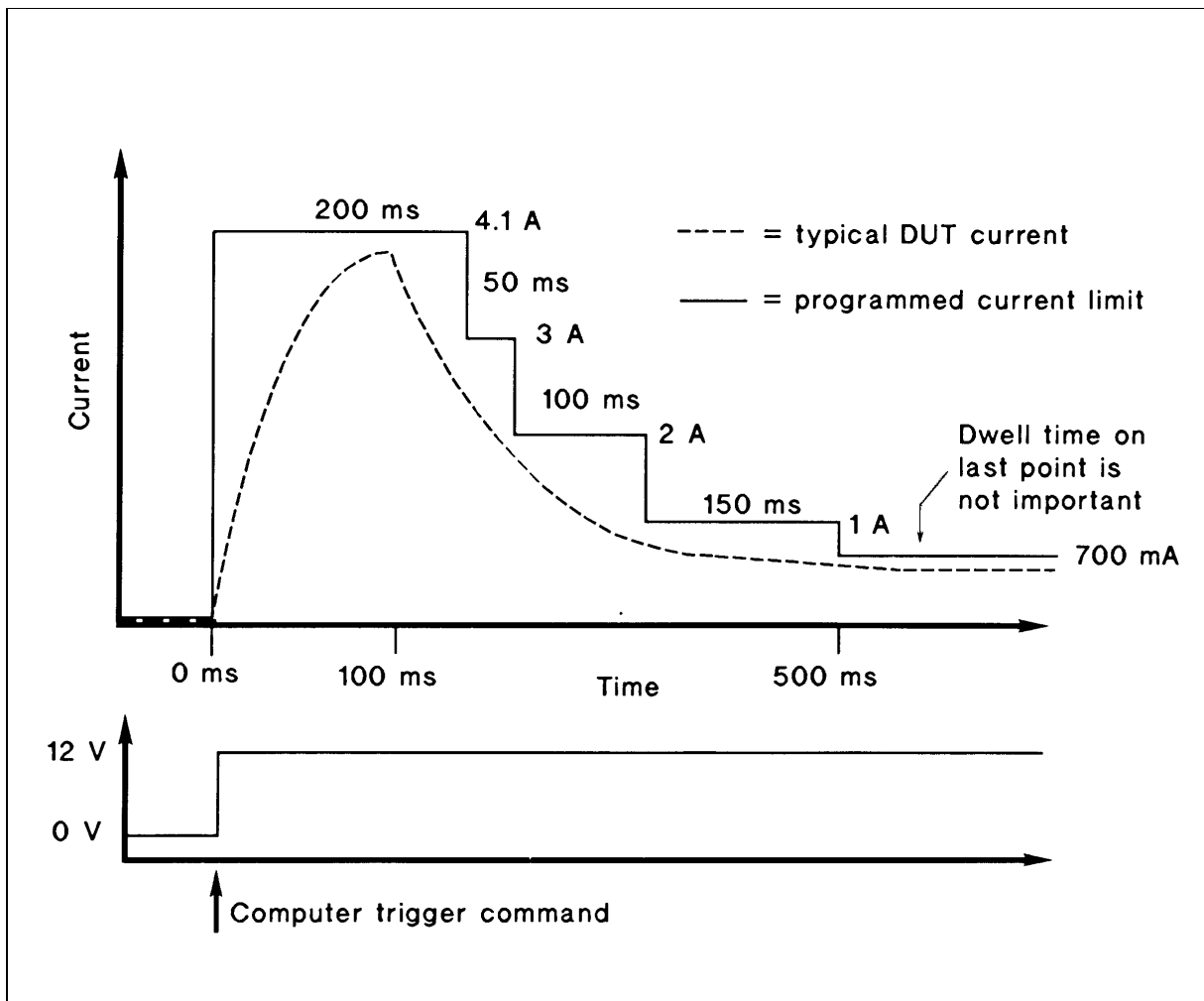


Figure B5-2. Desired Current vs. Time

Implementation Details

How The MPS Implements The Sequence.

The module is programmed to current List mode.

The module will execute a dwell-paced current List.

The current limit List points are downloaded to the module.

The dwell times are downloaded to the module.

To begin powering the DUT, the module is triggered by the computer. This one trigger causes the current List to begin executing and the voltage to go to its programmed value.

The module steps through the current limit List.

The module continuously monitors its status.

If the modules goes into CC, the overcurrent protection disables the output.

Module Set Up

Set the current mode to List.

Download current List.

Download the dwell times.

Set the List to be dwell paced.

Enable overcurrent protection.

The initial voltage setting is 0 V.

The module listens for the computer to send a trigger command.

Upon receipt of the trigger command, the module goes to 12 V.

Also upon receipt of the trigger command, the module begins executing its current limit List.

Variations On This Implementation

1. The module could be set to begin applying power in response to an external or backplane TTL Trigger.
2. Multiple modules could be programmed to cycle together in response to the computer trigger command. Each module could have unique current limits, voltage settings, and dwell times.
3. The module could be set to generate an SRQ if the overcurrent protection disables the output.
4. The module could be set to generate an external or backplane TTL Trigger if the overcurrent protection disables the output.
5. The in-rush current can be controlled using the current limit settings of the current List. Instead of setting the current limit slightly above 4 A, it could be set at a much lower value. This would limit the in-rush current to the value in the List. It would take longer to charge the capacitors on the assembly, but the inrush condition would be controlled. In this variation, the overcurrent protection could not be used, because you want the module to be in CC.

```

10      ! APPLICATION #5: PROVIDING TIME-VARYING CURRENT LIMITING
20      ! PROGRAM: APP_5
30      !
40      DIM C_limit${50},Dwell{50]
50      !
60      C_limit$="4.1, 3.0, 2.0 , 1.0, 0.7"           !   CURRENT LIMIT DATA
70      Dwell$="0.2, 0.05, 0.1, 0.15, 0.1"         !   DWELL TIME DATA
80      !
90      ASSIGN @Slot0 To 70500                       !   SELECT CODE 7, MAINFRAME ADDRESS 05, SLOT 00
100     !
110     OUTPUT @Slot0;"*RST;*CLS;STATUS:PRESET"      !   RESET AND CLEAR MODULE
120     OUTPUT @Slot0;"VOLT 0"                      !   START TEST AT 0 V
130     OUTPUT @Slot0;"OUTPUT ON"                  !   ENABLE OUTPUT
140     OUTPUT @Slot0;"CURRENT:PROTECTION:STATE ON" !   ENABLE OCP
150     OUTPUT @Slot0;"OUTPUT:PROTECTION:DELAY 0"   !   NO DELAY BEFORE PROTECTION OCCURS
160     OUTPUT @Slot0;"CURRENT:MODE LIST"          !   SET TO GET CURRENT FROM LIST
170     OUTPUT @Slot0;"LIST:CURRENT ";C_limit$      !   DOWNLOAD CURRENT POINTS
180     OUTPUT @Slot0;"LIST:DWELL ";Dwell$         !   DOWNLOAD DWELL TIMES
190     OUTPUT @Slot0;"LIST:STEP AUTO"             !   DWELL-PACED LIST
200     OUTPUT @Slot0;"VOLT:TRIGGERED 12"         !   GO TO 12 V WHEN TRIGGERED
210     OUTPUT @Slot0;"INITIATE"                  !   ENABLE TRIGGER TO START LIST AND APPLY 12 V
220     !
230     ! BEFORE TRIGGERING THE MODULE, DETERMINE IF IT IS READY BY CHECKING FOR
240     ! 'WAITING FOR TRIGGER' (BIT 5 OF THE OPERATION STATUS REGISTER).
250     !
260     ! YOU COULD ELIMINATE THIS STEP BY SIMPLY INSERTING A PAUSE IN THE PROGRAM. HOWEVER, BY
270     ! CHECKING THE INSTRUMENT STATUS, YOU CAN AVOID TIMING PROBLEMS. ALSO, ANY OTHER OPERATIONS
280     ! THAT TAKE TIME WILL GIVE THE MODULE A CHANCE TO COMPLETE PROCESSING.
290     !
300     REPEAT
310       OUTPUT @Slot0;"STATUS:OPERATION:CONDITION?"
320       ENTER @Slot0;Condition_data
330     UNTIL BIT(Condition_data,5)                 !   TEST FOR BIT 5 = TRUE
340     !
350     ! SEND Agilent -1BTRIGGER COMMAND TO START LIST AND APPLY 12 V
360     !
370     OUTPUT @Slot0;"TRIGGER:IMMEDIATE"          !   THIS IS AN IMMEDIATE TRIGGER, WHICH IS
380                                           !   ALWAYS ACTIVE. THEREFORE, IT DOES NOT NEED
390     END                                           !   TO BE SELECTED AS A TRIGGER SOURCE.

```

Figure B5-3. Agilent BASIC Program Listing for Application #5

Application 6. Output Sequencing Paced by the Computer

Overview Of Application

When performing bias supply margin testing, throughput can be maximized by eliminating the command processing time associated with reprogramming all outputs for each set of limit conditions. Instead, multiple sets of bias limit conditions can be downloaded to the power modules during test system initialization. During the testing, the computer can use a single command to simultaneously signal all power modules to step through each test condition.

In this example, the DUT requires + 5 V and \pm 12 V. The DUT is tested to ensure proper operation at marginal supply voltages. The margin specified is \pm 5 % of nominal voltage. At each of the combinations given below, the computer first sets up the three modules and makes a measurement on the DUT. The combinations to be tested are:

Nominal 5 V	Nominal + 12 V	Nominal - 12 V
4.75 V	12 V	-12 V
5 V	12 V	-12 V
5.25 V	12 V	-12 V
5 V	11.4 V	-12 V
5 V	12.6 V	-12 V
5 V	12 V	- 11.4 V
5 V	12 V	- 12.6 V

When conducting this test, the modules will need to be reprogrammed 21 times and seven measurements made. The command processing time could slow down this test.

The MPS can be used to increase throughput. By downloading all of the combinations into the three modules, each setting can be quickly stepped through by triggering all modules to change to their next voltage setting and then taking a measurement from the DUT. This permits testing without command processing overhead.

MPS Features Used

- 20-point voltage List.
- Trigger-paced Lists.
- Trigger in/out from MPS mainframe backplane TTL Trigger.
- Trigger on a GPIB trigger command.

Advantages/Benefits Of The MPS Solution

By using Lists, the module changes its voltage without delays due to processing the command to change the output voltage. By using triggers, all three outputs can be changed with one command. The computer loop to change the settings and take a measurement is simplified, because you do not have to explicitly reprogram each module output. Instead, the loop becomes "Trigger" and "Measure".

Implementation Details

How The MPS Implements The Sequence

The following steps are performed for each point in the List:

The computer sends a trigger command to the first module.

The first module simultaneously sends a backplane TTL Trigger to the other two modules and goes to its next List point.

The second module receives the backplane TTL Trigger and immediately goes to its next List point.

The third module receives the backplane TTL Trigger, immediately goes to its next List point.

The computer gets a measurement from the measurement instrument.

MPS Set Up

Module in slot 0:

The module is connected to + 5 V on the DUT.

The initial voltage setting is 0 V.

Set the voltage mode to List.

Download the voltage List.

Set the List to be trigger paced.

The module listens for the computer to send a trigger command. Upon receipt of the trigger command, the module outputs its next List point.

Also upon receipt of the trigger command, the module generates a backplane TTL Trigger.

Module in slot 1:

The module is connected to + 12 V on the DUT.

The initial voltage setting is 0 V.

Set the voltage mode to List.

Download the voltage List.

Set the List to be trigger paced.

The module listens for a backplane TTL Trigger.

Upon receipt of a trigger, the module goes to its next List point.

Module in slot 2:

The module is connected to - 12 V on the DUT.

The initial voltage setting is 0 V.

Set the voltage mode to List.

Download the voltage List.

Set the List to be trigger paced,

The module listens for a backplane TTL Trigger.

Upon receipt of a trigger, the module goes to its next List point.

Variations On This Implementation

1. A current List could also have been executed by the module so that for each voltage point, a corresponding current limit could be programmed.
2. Overcurrent protection could be enabled to protect a faulty DUT.
3. The module could generate an SRQ when it finishes changing voltage for each point in the List based on the STC (Step Completed) status bit, which indicates when the module has completed executing the next point in the List. The SRQ could tell the computer to get a measurement from the measurement instrument.
4. The module could be told to output its next List point in response to an external or backplane TTL Trigger. (see next application.)

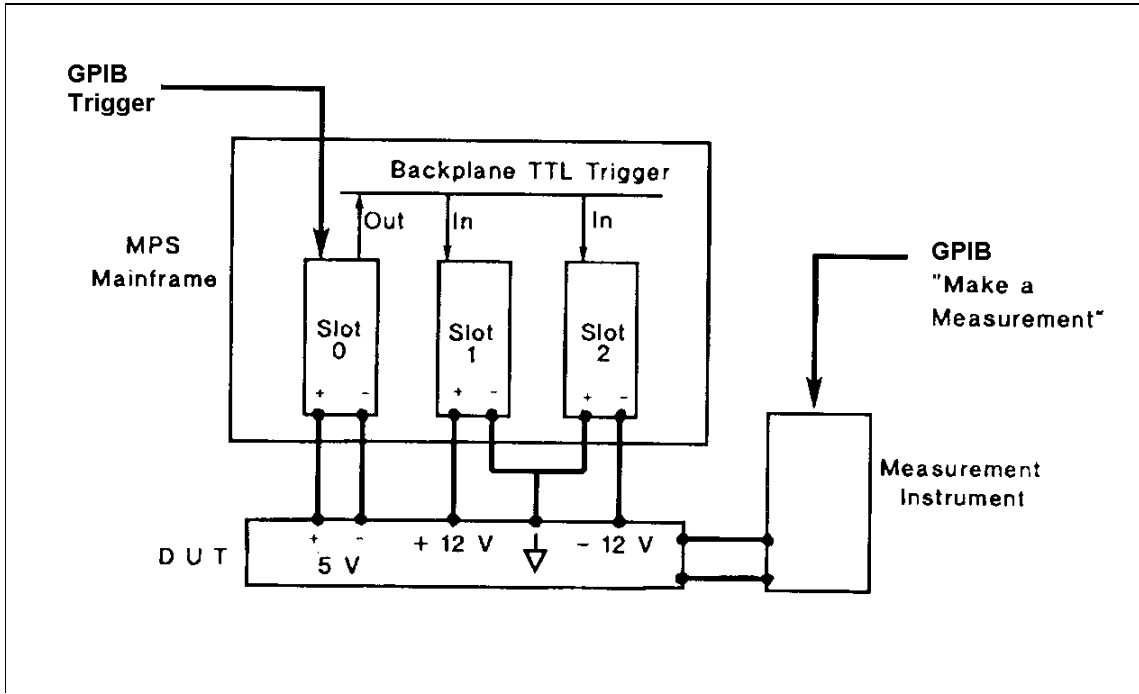


Figure B6-1. Block Diagram of Application #6

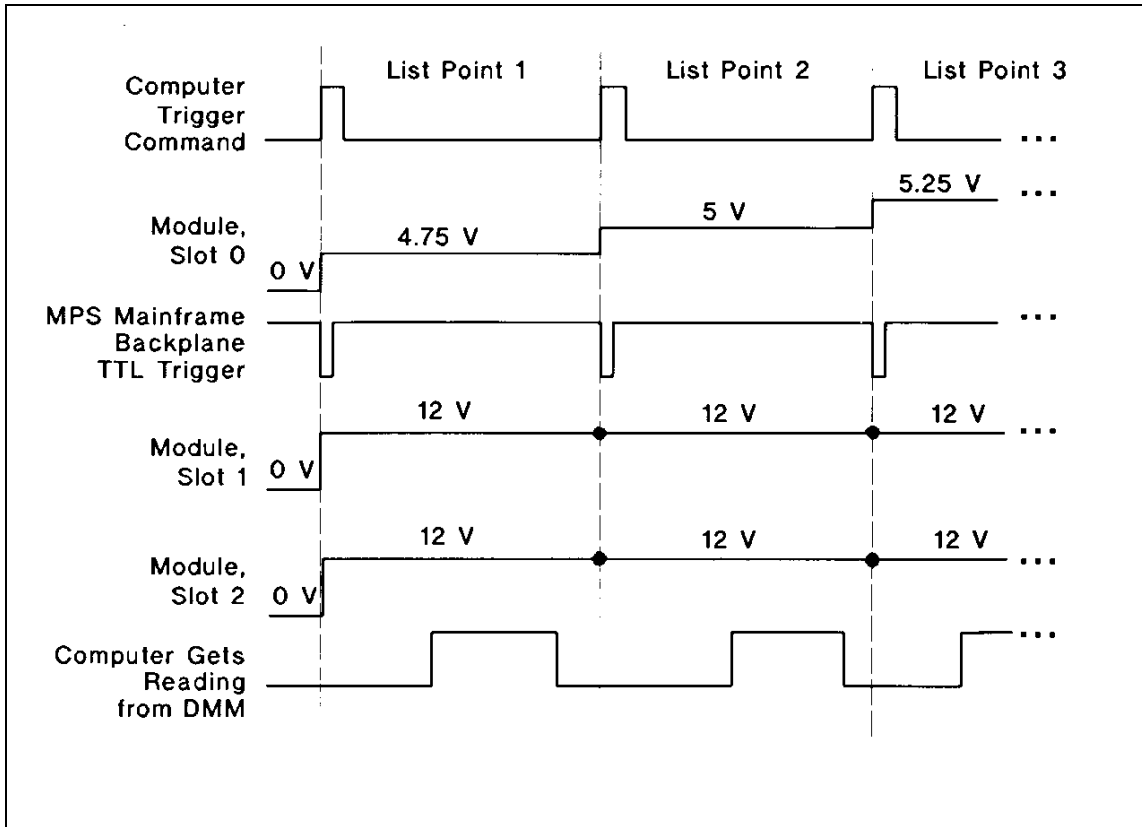


Figure B6-2. Timing Diagram of Application #6

```

10      ! APPLICATION #6: OUTPUT SEQUENCING PACED BY THE COMPUTER
20      ! PROGRAM: APP-6
30      !
40      DIM Plus_5v${50},Plus_12v${50},Minus_12v${50}
50      !
60      Plus_5v$="4.75, 5, 5.25, 5, 5, 5, 5"           ! THESE ARE THE BIAS
70      Plus_12v$="12, 12, 12, 11.4, 12.6, 12, 12"     ! SUPPLY LIMIT CONDITIONS
80      Minus_12v$="12, 12, 12, 12, 12, 11.4, 12.6"    ! TO BE TESTED
90      !
100     Num_test_steps=7                               ! NUMBER OF BIAS SUPPLY LIMIT COMBINATIONS
110     Dwell=.010                                     ! SECONDS OF DWELL TIME
120     !
130     ASSIGN @Slot0 TO 70500                         ! SELECT CODE 7, MAINFRAME ADDRESS 05, SLOT 00
140     ASSIGN @Slot1 TO 70501                         ! SELECT CODE 7, MAINFRAME ADDRESS 05, SLOT 01
150     ASSIGN @Slot2 TO 70502                         ! SELECT CODE 7, MAINFRAME ADDRESS 05, SLOT 02
160     !
170     ! SET UP MODULE IN SLOT 0 AS +5 V BIAS SUPPLY -----
180     !
190     OUTPUT @Slot0;"*RST;*CLS;STATUS:PRESET"       ! RESET AND CLEAR MODULE
200     OUTPUT @Slot0;"VOLT 0"                         ! START AT 0 V
210     OUTPUT @Slot0;"OUTPUT ON"                     ! ENABLE OUTPUT
220     OUTPUT @Slot0;"VOLT:MODE LIST"                ! SET TO GET VOLTAGE FROM LIST
230     OUTPUT @Slot0;"LIST:VOLTAGE ";Plus_5v$        ! DOWNLOAD VOLTAGE LIST POINTS
240     OUTPUT @Slot0;"LIST:DWELL";Dwell              ! DOWNLOAD 1 DWELL TIME (ASSUMES SAME FOR ALL POINTS)
250     OUTPUT @Slot0;"LIST:STEP ONCE"                ! EXECUTE 1 LIST POINT PER TRIGGER
260     OUTPUT @Slot0;"TRIGGER:SOURCE BUS"            ! TRIGGER SOURCE IS GPIB 'BUS'
270     OUTPUT @Slot0;"OUTPUT:TTLTRG:SOURCE BUS"!     GENERATE BACKPLANE TTL TRIGGER WHEN GPIB 'BUS' TRIGGER IS RECEIVED
280     OUTPUT @Slot0;"OUTPUT:TTLTRG:STATE ON"       ! ENABLE TTL TRIGGER DRIVE
290     OUTPUT @Slot0;"INITIATE"                      ! ENABLE RESPONSE TO TRIGGER
300     !
310     ! SET UP MODULE IN SLOT 1 AS +12 V BIAS SUPPLY -----
320     !
330     OUTPUT @Slot1;"*RST;*CLS;STATUS:PRESET"       ! RESET AND CLEAR MODULE
340     OUTPUT @Slot1;"VOLT 0"                         ! START AT 0 V
350     OUTPUT @Slot1;"OUTPUT ON"                     ! ENABLE OUTPUT
360     OUTPUT @Slot1;"VOLT:MODE LIST"                ! SET TO GET VOLTAGE FROM LIST
370     OUTPUT @Slot1;"LIST:VOLTAGE ";Plus_12v$       ! DOWNLOAD VOLTAGE LIST POINTS
380     OUTPUT @Slot1;"LIST:DWELL";Dwell              ! DOWNLOAD 1 DWELL TIME (ASSUMES SAME FOR ALL POINTS)
390     OUTPUT @Slot1;"LIST:STEP ONCE"                ! EXECUTE 1 LIST POINT PER TRIGGER
400     OUTPUT @Slot1;"TRIGGER:SOURCE TTLTRG"        ! TRIGGER SOURCE IS BACKPLANE TTL TRIGGER
410     OUTPUT @Slot1;"INITIATE"                      ! ENABLE RESPONSE TO TRIGGER
420     !
430     ! SET UP MODULE IN SLOT 2 AS -12 V BIAS SUPPLY -----
440     !
450     OUTPUT @Slot2;"*RST;*CLS;STATUS:PRESET"       ! RESET AND CLEAR MODULE
460     OUTPUT @Slot2;"VOLT 0"                         ! START AT 0 V
470     OUTPUT @Slot2;"OUTPUT ON"                     ! ENABLE OUTPUT
480     OUTPUT @Slot2;"VOLT:MODE LIST"                ! SET TO GET VOLTAGE FROM LIST
490     OUTPUT @Slot2;"LIST:VOLTAGE ";Minus_12v$      ! DOWNLOAD VOLTAGE LIST POINTS
500     OUTPUT @Slot2;"LIST:DWELL";Dwell              ! DOWNLOAD 1 DWELL TIME (ASSUMES SAME FOR ALL POINTS)
510     OUTPUT @Slot2;"LIST:STEP ONCE"                ! EXECUTE 1 LIST POINT PER TRIGGER
520     OUTPUT @Slot2;"TRIGGER:SOURCE TTLTRG"        ! TRIGGER SOURCE IS BACKPLANE TTL TRIGGER
530     OUTPUT @Slot2;"INITIATE"                      ! ENABLE RESPONSE TO TTL TRIGGER
540     !
550     ! BEFORE TRIGGERING THE MODULES, DETERMINE IF THE MODULES ARE READY BY CHECKING FOR
560     ! 'WAITING FOR TRIGGER' (BIT 5 OF THE OPERATION STATUS REGISTER). IF THE LAST MODULE PROGRAMMED
570     ! IS READY THEN SO ARE THE OTHERS, SO JUST CHECK SLOT 2.
580     !
590     ! YOU COULD ELIMINATE THIS STEP BY SIMPLY INSERTING A PAUSE IN THE PROGRAM. HOWEVER, BY

```

```

600 ! CHECKING THE INSTRUMENT STATUS, YOU CAN AVOID TIMING PROBLEMS. ALSO, ANY OTHER OPERATIONS
610 ! THAT TAKE TIME WILL GIVE THE MODULES A CHANCE TO COMPLETE PROCESSING.
620 !
630 REPEAT
640   OUTPUT @Slot2;"STATUS:OPERATION:CONDITION?"
650   ENTER @Slot2:Condition_data
660   UNTIL BIT(Condition_data,5)           !   TEST FOR BIT 5 = TRUE
670   !
680   ! GENERATE A TRIGGER AND MAKE A MEASUREMENT FOR EACH TEST CONDITION
690   !
700   FOR Loop_count=1 TO Num_test_steps
710     OUTPUT @Slot0;"TRG"               !   SEND Agilent -1B BUS TRIGGER
720     GOSUB Get_measurement
730   NEXT Loop_count
740   !
750   STOP
760   !
770   Get_measurement:
780   !
790   ! THIS IS JUST TO SHOW YOU WHERE YOU WOULD ADD CODE TO GET DATA FROM THE MEASUREMENT INSTRUMENT.
800   ! THE MEASUREMENT MUST TAKE LONGER THAN THE PROGRAMMED DWELL TIME OR YOU WILL MISS TRIGGERS.
810   !
820   WAIT .1
830   !
840   RETURN
850   !
860   END

```

Figure B6-3. Agilent BASIC Program Listing for Application #6

Application 7. Output Sequencing Without Computer Intervention

Overview Of Application

When characterizing devices, the DUT's performance is measured over a range of power supply voltages. This test can be performed without computer intervention by using hardware signals from the measurement instrument to cause the power module to sequence to the next voltage in a preprogrammed List. By buffering these readings in the measurement instrument, the entire test can be executed without computer involvement. For characterizations that require long measurement times, the computer is free to do other tasks. For characterizations that must execute at hardware speeds, the computer is not involved and will not slow down the test loop.

In this example, the power module must apply 8 to 14 volts (in 13 0.5-volt increments) to an automotive engine sensor. The module varies the bias voltage to the engine sensor and the sensor's output is measured to characterize its performance over the range of possible "battery voltages". The sensor output is measured by a DMM that has an internal buffer and stores each reading.

By combining Lists and trigger capabilities, the MPS can be used to address this application. The module can be programmed to use its triggering capabilities to the fullest extent. Each time the module executes the next step in its List and changes voltage, the module will generate an external trigger. The external trigger will cause the DMM, equipped with an external trigger input, to take and store a reading. The DMM, also equipped with a "Measurement Complete" output, sends its output trigger signal to the module to tell the module to go to its next List point. Effectively, the module and the DMM "handshake", so that the two function at hardware speeds without computer intervention.

When the test is complete, either device can signal the computer to get the data from the DMM. For the purpose of this example, the module will generate an SRQ when the last List point has been executed. This is indicated by the OPC (Operation Complete) bit in the status register.

Another detail that needs attention is timing. The DUT may require some settling time before the DMM is told to take a reading. The module's dwell time can be used to do this. The STC (Step Complete) status signal indicates when the point has been executed and its dwell time has expired. The dwell time is programmed to be the engine sensor's settling time. The external trigger is generated when STC is asserted. Thus, the DMM will not be triggered until the dwell time has expired and the sensor's output has settled.

This type of self-paced test execution is useful in two situations. When the test must execute very fast, there is no time for the computer to be involved in each iteration of the test loop. Therefore, the test must execute without computer intervention. The second situation is when the test is very long. For example, if the measurement instrument took 1 minute to make each measurement, the test would take 13 minutes to execute. The computer is not used efficiently if it is idle while waiting for each measurement loop, so it would be best to have the computer executing another task. Without self-pacing, you would need to develop interrupt driven software that stops every 1 minute to take a reading. By letting the module and the DMM run on their own, code development is much simpler and computer resources are used more efficiently.

MPS Features Used

- 20-point voltage List.
- Dwell time.
- Trigger-paced Lists.
- Generate an SRQ on a change in internal status.
- Generate a trigger on a change in internal status.
- Trigger in/out from MPS mainframe backplane TTL Trigger.
- Trigger on a GPIB trigger command.

Advantages/Benefits Of The MPS Solution

The entire test executes without computer involvement, the command processing time is eliminated from the test loop.

The entire test executes without computer involvement, so the computer can perform other tasks while the test executes.

Software development is simplified; you do not need to write a test loop because the module and the DMM are running on their own.

By using dwell times, the trigger out signal can be sent at the correct time, which permits the DUT to settle before a reading is taken.

Implementation Details

How The MPS Implements The Sequence

The module listens for the computer to send a trigger command.

Upon receipt of the trigger command, the module outputs its first List point.

After the dwell time expires, the STC is asserted and the module generates an external trigger.

The DMM receives the external trigger, takes and stores a reading.

The DMM generates a "Measurement Complete" output signal when it's done.

The module receives the DMM output signal as an external trigger in.

Also upon receipt of the trigger in, the module outputs its next List point.

The process repeats for each List point.

After the last List point has executed, the module generates SRQ, telling the computer the test has completed.

MPS Set Up

Set the voltage mode to List.

Download the voltage List.

Download the dwell time List.

Set the List to be trigger paced.

Set the trigger source to external trigger.

Note	The computer trigger command "TRIGGER:IMMEDIATE" is always active, even if the external trigger is the selected source.
-------------	---

Set the module to generate a backplane TTL Trigger on STC. This backplane TTL Trigger drives external trigger out.

Set the module to generate SRQ on OPC.

Variations On This Implementation

1. A current List could also have been executed by the module so that for each voltage point, a corresponding current limit could be programmed.
2. Overcurrent protection could be enabled to protect a faulty engine sensor.
3. If the DMM does not have an internal buffer, the computer could take a reading on each iteration of the test loop (see previous application).

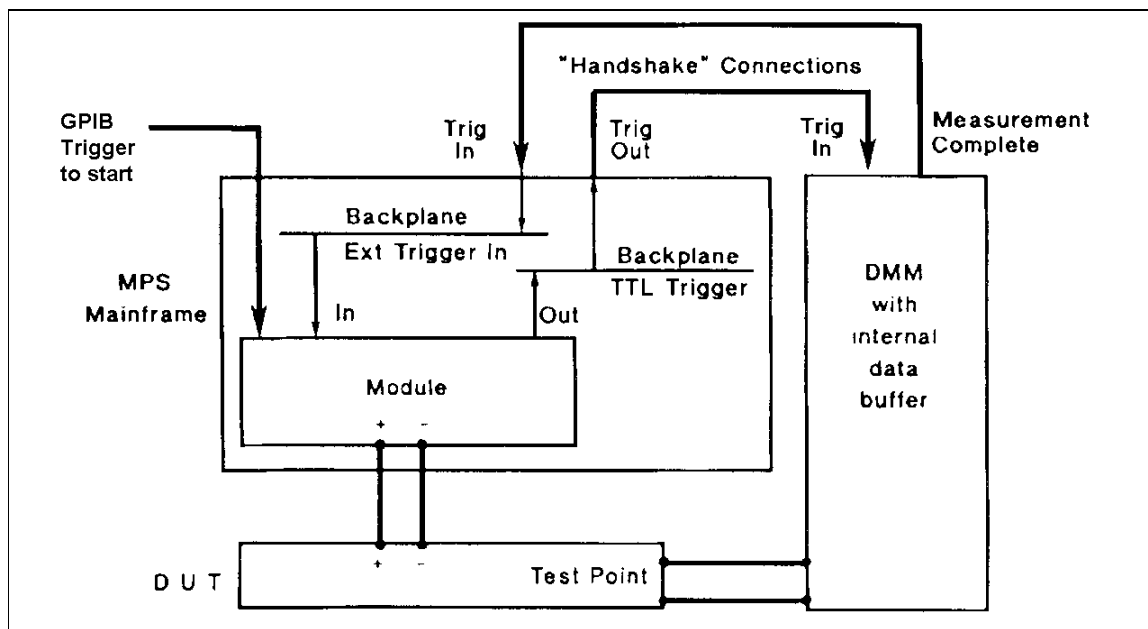


Figure B7-1. Block Diagram of Application #7

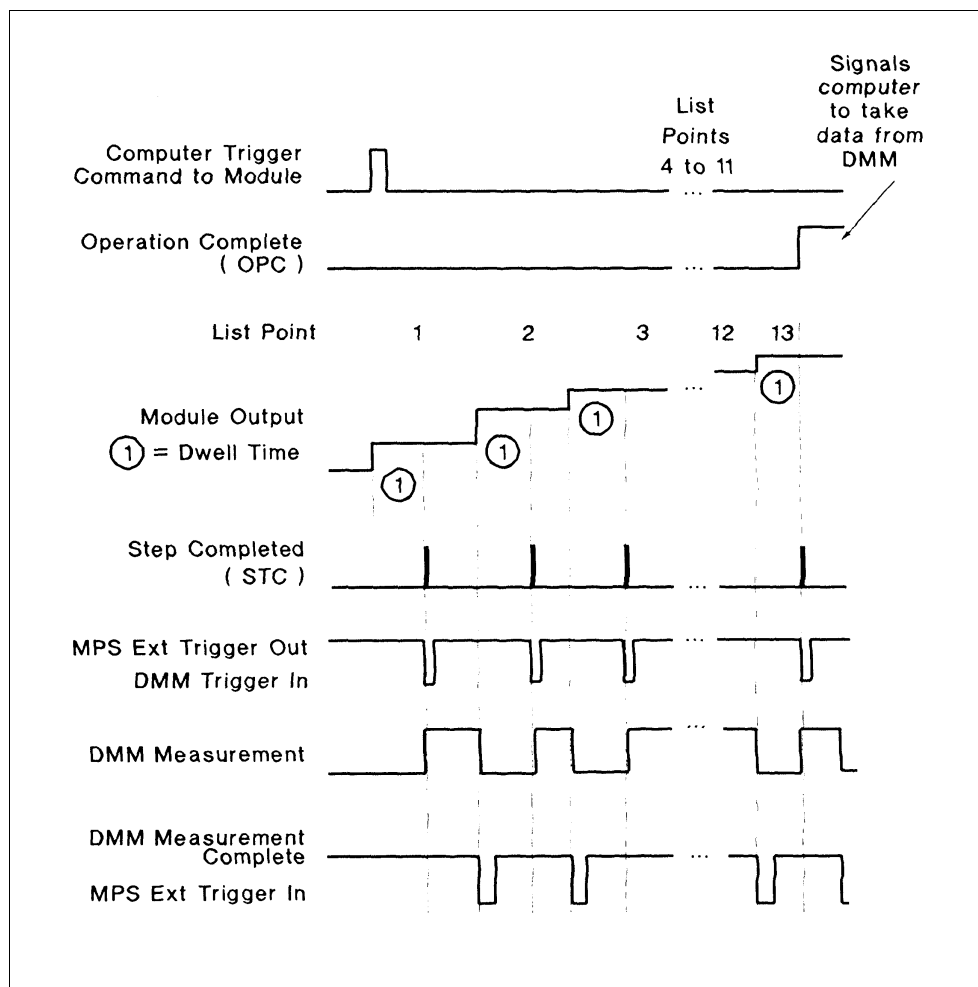


Figure B7-2. Timing Diagram of Application #7


```

10 ! APPLICATION #7: OIJTPUT SEQUENCING WITHOUT COMPUTER INTERVENTION
20 ! PROGRAM: APP_7
30 !
40 ASSIGN @Slot0 TO 70500 ! SELECT CODE 7, MAINFRAME ADDRESS 05, SLOT 00
50 !
60 DIM Vlist$(80)
70 Vlist$="8, 8.5, 9, 9.5, 10, 10.5, 11, 11.5, 12, 12.5, 13, 13.5, 14" ! VOLTAGE LIST POINTS
80 !
90 OUTPUT @Slot0;"*RST;*CLS;STATUS:PRESET" ! RESET AND CLEAR MODULE
100 OUTPUT @Slot0;"VOLT 0" ! START AT 0 V
110 OUTPUT @Slot0;"CURR 1" ! SET CURRENT LIMIT
120 OUTPUT @Slot0;"OUTPUT ON" ! ENABLE OUTPUT
130 OUTPUT @Slot0;"VOLT:MODE LIST" ! SET TO GET VOLTAGE FROM LIST
140 OUTPUT @Slot0;"LIST:VOLT ";Vlist$ ! DOWNLOAD VOLTAGE LIST POINTS
150 OUTPUT @Slot0;"LIST:DWELL .050" ! DOWNLOAD 1 DWELL POINT (ASSUMES SAME FOR ALL POINTS)
160 ! USE A 50 ms SETTLING TIME AS THE DWELL TIME
170 OUTPUT @Slot0;"LIST:STEP ONCE" ! EXECUTE 1 POINT PER TRIGGER
180 !
190 OUTPUT @Slot0;"*ESE 1" ! ENABLES DETECTION OF OPC IN THE STANDARD EVENT REGISTER.
200 ! OPC = BIT 0 = VALUE 1 OF THE STANDARD EVENT REGISTER.
210 OUTPUT @Slot0;"*SRE 32" ! ENABLES THE SERVICE REQUEST REGISTER TO GENERATE AN SRQ WHEN
220 ! ANY EVENT IN THE STANDARD EVENT REGISTER IS ASSERTED.
230 ! THE STANDARD EVENT REGISTER = BIT 5 = VALUE 32.
240 !
250 OUTPUT @Slot0;"OUTPUT:TTLTRG:STATE ON" ! ENABLE BACKPLANE TTL TRIGGER DRIVE
260 OUTPUT @Slot0;"OUTPUT:TTLTRG:SOURCE LINK" ! WHEN THE MODULE INDICATES SIC (STEP COMPLETED),
270 OUTPUT @Slot0;"OUTPUT:TTLTRG:LINK 'STC'" ! GENERATE A BACKPLANE TTL TRIGGER
280 OUTPUT @Slot0;"TRIGGER:SOURCE EXTERNAL" ! USE EXTERNAL TRIGGER IN BNC AS TRIGGER SOURCE
290 OUTPUT @Slot0;"INITIATE" ! ENABLE RESPONSE TO TRIGGER
300 OUTPUT @Slot0;"*OPC" ! TELLS MODULE TO ASSERT OPC (OPERATION COMPLETE)
310 ! WHEN IT COMPLETES THE LIST. OPC GENERATES SRQ.
320 !
330 ON INTR.7 GOSUB Srq_handler ! ENABLE SRQ INTERRUPT AND
340 ENABLE INTR 7;2 ! IDENTIFY HANDLER SUBROUTINE
350 !
360 ! BEFORE TRIGGERING THE MODULE, DETERMINE IF IT IS READY BY CHECKING FOR
370 ! 'WAITING FOR TRIGGER' (BIT 5 OF THE OPERATION STATUS REGISTER).
380 !
390 ! YOU COULD ELIMINATE THIS STEP BY SIMPLY INSERTING A PAUSE IN THE PROGRAM. HOWEVER, BY
400 ! CHECKING THE INSTRUMENT STATUS, YOU CAN AVOID TIMING PROBLEMS. ALSO, ANY OTHER OPERATIONS
410 ! THAT TAKE TIME WILL GIVE THE MODULE A CHANCE TO COMPLETE PROCESSING.
420 !
430 REPEAT
440 OUTPUT @Slot0;"STATUS:OPERATION:CONDITION?"
450 ENTER @Slot0;Condition_data
460 UNTIL BIT(Condition_data,5) ! TEST FOR BIT 5 = TRUE
470 !
480 ! BEGIN THE SELF-PACED TEST LOOP BY TRIGGERING THE MODULE TO START THE LIST
490 !
500 OUTPUT @Slot0;"TRIGGER:IMMEDIATE" ! THIS IS AN IMMEDIATE TRIGGER, WHICH IS ALWAYS ACTIVE.
510 ! IT DOES NOT NEED TO BE SELECTED AS TRIGGER SOURCE.
520 !
530 GOTO 530 ! IDLE IN LOOP WAITING FOR SRQ OR GO DO OTHER TASKS
540 !
550 Srq_handler: !
560 !
570 ! ADD LINES HERE TO READ THE DATA BUFFER FROM THE DMM
580 !
590 END

```

Figure B7-3. Agilent BASIC Program Listing of Application #7

Supplemental Information

This appendix contains program listings translated into the following DOS-compatible languages and GPIB interfaces:

- GWBASIC and the Agilent 61062/82990/82335A GPIB Command Library for MS-DOS
- GWBASIC and the National Instruments GPIB-PC Interface Card
- Microsoft C and the Agilent 61062/82990/82335A GPIB Command Library for MS-DOS
- Microsoft C and the National Instruments GPIB-PC Interface Card

Each program is translated from the Agilent BASIC listing found in application #3. This example program was chosen as representative of all application programs because it shows how to:

- Configure the interface card.
- Address the power module.
- Write strings to the power module.
- Write real arrays to the power module.
- Receive real numbers from the power module.

The six other application programs all use a subset of the above functions.

```
1      ' MERGE "SETUP.BAS" AS DESCRIBED IN YOUR GPIB COMMAND LIBRARY MANUAL
2      '
1000   ' APPLICATION #3: CONTROLLING VOLTAGE RAMP UP AT TURN ON
1010   ' FOR GWBASIC AND THE Agilent 61062/82990/82335A GPIB COMMAND LIBRARY
1020   ' PROGRAM: Agilent 3.BAS
1030   '
1040   OPTION BASE 1
1050   INTERFACE = 7          ' SELECT CODE OF THE GPIB CARD
1060   SLOTO 705001          ' SELECT CODE 7, MAINFRAME ADDRESS 05, SLOT 00
1070   CR.LFS CHR$(13) + CHR$(10) ' CARRIAGE RETURN + LINE FEED = END OF LINE TERMINATION
1080   DIM VSTEP(20)        ' ARRAY TO HOLD THE VOLTAGE RAMP STEPS
1090   NUM.POINTS = 20      ' NUMBER OF POINTS IN THE VOLTAGE RAMP ARRAY
1100   VSTART = 2           ' START VOLTAGE FOR RAMP
1110   VSTOP = 10           ' STOP VOLTAGE FOR RAMP
1120   RAMPTIME = .5        ' TIME IN SECONDS TO CHANGE FROM VSTART TO VSTOP
1130   DWELL = RAMPTIME / 19 ' DWELL TIME FOR EACH POINT
1140   '
1150   ' SINCE THE OUTPUT STAYS AT THE LAST VOLTAGE POINT AFTER ITS DWELL TIME EXPIRES, THE DWELL TIME OF THE
1160   ' LAST POINT IS NOT PART OF THE TRANSITION TIME. THEREFORE, DIVIDE THE TOTAL TIME BY 19 POINTS, NOT 20.
1170   ' YOU WANT THE SAME DWELL TIME FOR EVERY POINT IN THE LIST, SO YOU NEED TO DOWNLOAD ONLY 1 DWELL TIME.
1180   '
1190   FOR I=1 TO 20
1200     VSTEP(I) = VSTART + ((( VSTOP - VSTART ) / 20 ) * I) ' CALCULATES VOLTAGE LIST POINTS
1210   NEXT I
1220   '
1230   NOTE REGARDING GPIB READ/WRITE TERMINATIONS:
1240   '
1250   ' THE DEFAULT MODE OF THE INTERFACE CARD IS THAT EOI IS ENABLED AND THE READ/WRITES TERMINATE
1260   ' ON CARRIAGE RETURN/LINE FEED. THE MODULE TERMINATES ON EITHER EOI OR LINE FEED, SO THE
1270   ' DEFAULT SETTINGS OF THE CARD ARE SUFFICIENT.
1280   '
1290   CMD$ = "**RST;*CLS;STATUS:PRESET" ' RESET AND CLEAR MODULE
1300   L = LEN( CMD$ )
1310   CALL IOOUTPUTS( SLOTO, CMD$, L )
1320   IF PCIB.ERR<>0 THEN ERROR PCIB.BASERR
1330   '

```

```

1340  CMD$ = "VOLT+ STR$( VSTART )           ' START RAMP AT VSTART. USE NUMBER TO STRING
1350  L = LEN( CMD$ )                         ' CONVERSION TO SEND REAL NUMBERS OVER THE BUS
1360  CALL IOOUTPUTS( SLOTO, CMD$, L )       ' AS PART OF THE COMMAND STRING.
1370      IF PCIB.ERR<>0 THEN ERROR PCIB.BASERR
1380  '
1390  CMD$ = "CURR .1"
1400  L = LEN( CMD$ )
1410  CALL IOOUTPUTS( SLOTO, CMD$, L )
1420      IF PCIB.ERR<>0 THEN ERROR PCIB.BASERR
1430  '
1440  CMD$ = "OUTPUT ON"                     ' ENABLE OUTPUT
1450  L = LEN( CMD$ )
1460  CALL IOOUTPUTS( SLOTO, CMD$, L )
1470      IF PCIB.ERR<>0 THEN ERROR PCIB.BASERR
1480  '
1490  CMD$ = "VOLT:MODE LIST"                ' SET TO GET VOLTAGE FROM LIST
1500  L = LEN( CMD$ )
1510  CALL IOOUTPUTS( SLOTO, CMD$, L )
1520      IF PCIB.ERR<>0 THEN ERROR PCIB.BASERR
1530  '
1540  ' SENDING THE VOLTAGE DATA POINTS REQUIRES TWO STEPS USING THE GPIB COMMAND LIBRARY. THE INSTRUCTION CONTAINS BOTH
1550  ' STRING DATA AND A REAL ARRAY. FIRST, SEND THE STRING DATA COMMAND HEADER "LIST:VOLT" TO THE MODULE USING IOOUTPUTS.
1560  ' THEN, SEND THE REAL ARRAY USING IOOUTPUTA. HOWEVER, YOU MUST INHIBIT THE EOI AND END-OF-LINE TERMINATOR AFTER THE
1570  ' IOOUTPUTS COMMAND OR THE MODULE WILL STOP TAKING DATA. THEN RE-ENABLE THEM TO TERMINATE THE IOOUTPUTA.
1580  '
1590  EOI.STATE = 0                           ' TURN OFF EOI
1600  CALL IOEOI( INTERFACE, EOI.STATE )
1610      IF PCIB.ERR<>0 THEN ERROR PCIB.BASERR
1620  '
1630  END.OF.LINE = 0                         ' TURN OFF END-OF-LINE TERMINATION
1640  CALL IOEOL( INTERFACE, CR.LF$, END.OF.LINE )
1650      IF PCIB.ERR<>0 THEN ERROR PCIB.BASERR
1660  '
1670  CMD$ = "LIST:VOLT"
1680  L = LEN( CMD$ )
1690  CALL IOOUTPUTS( SLOTO, CMD$, L )       ' SEND THE VOLTAGE HEADER (STRING) ...
1700      IF PCIB.ERR<>0 THEN ERROR PCIB.BASERR
1710  '
1720  EOI.STATE = 1                           ' TURN ON EOI
1730  CALL IOEOI( INTERFACE, EOI.STATE )
1740      IF PCIB.ERR<>0 THEN ERROR PCIB.BASERR
1750  '
1760  END.OF.LINE = LEN( CR.LF$ )             ' TURN ON END-OF-LINE TERMINATION
1770  CALL IOEOL( INTERFACE, CR.LF$ , END.OF.LINE )
1780      IF PCIB.ERR<>0 THEN ERROR PCIB.BASERR
1790  '
1800  CALL IOOUTPUTA( SLOTO, VSTEP(1), NUM.POINTS ) ' DOWNLOAD THE VOLTAGE POINTS (ARRAY)
1810      IF PCIB.ERR<>0 THEN ERROR PCIB.BASERR
1820  '
1830  CMD$ = "LIST:DWELL " + STR$( DWELL )    ' DOWNLOAD 1 DWELL TIME. USE NUMBER TO STRING
1840  L = LEN( CMD$ )                         ' CONVERSION TO SEND REAL NUMBERS OVER THE BUS
1850  CALL IOOUTPUTS( SLOTO, CMD$, L )       ' AS PART OF THE COMMAND STRING.
1860      IF PCIB.ERR<>0 THEN ERROR PCIB.BASERR
1870  '
1880  CMD$ = "LIST:STEP AUTO"                 ' DWELL-PACED LIST
1890  L = LEN( CMD$ )
1900  CALL IOOUTPUTS( SLOTO, CMD$, L )
1910      IF PCIB.ERR<>0 THEN ERROR PCIB.BASERR
1920  '
1930  CMD$ = "INITIATE"                       ' ENABLE TRIGGER TO START LIST

```

```

1940 L = LEN( CMD$ )
1950 CALL IOOUTPUTS( SLOTO, CMDS, L )
1960 IF PCIB.ERR<>0 THEN ERROR PCIB.BASERR
1970 '
1980 ' BEFORE TRIGGERING THE MODULE, DETERMINE IF IT IS READY BY CHECKING FOR
1990 ' WAITING FOR TRIGGER' (BIT 5 OF THE OPERATION STATUS REGISTER).
2000
2010 ' YOU COULD ELIMINATE THIS STEP BY SIMPLY INSERTING A PAUSE IN THE PROGRAM. HOWEVER, BY
2020 ' CHECKING THE INSTRUMENT STATUS, YOU CAN AVOID TIMING PROBLEMS. ALSO, ANY OTHER OPERATIONS
2030 ' THAT TAKE TIME WILL GIVE THE MODULE A CHANCE TO COMPLETE PROCESSING.
2040 '
2050 CONDITION.DATA = 0
2060 '
2070 WHILE ( ( CONDITION.DATA AND 32 ) <> 32 ) ' CONTINUE TO LOOP UNTIL BIT 5 (VALUE 32) = TRUE
2080 CMD$ = "STATUS:OPERATION:CONDITION?"
2090 L = LEN( CMD$ )
2100 CALL IOOUTPUTS( SLOTO, CMDS, L )
2110 IF PCIB.ERR<>0 THEN ERROR PCIB.BASERR
2120 CALL IOENTER( SLOTO, CONDITION.DATA )
2130 IF PCIB.ERR<>0 THEN ERROR PCIB.BASERR
2140 WEND
2150 '
2160 ' SEND TRIGGER COMMAND TO START LIST AND GENERATE THE VOLTAGE RAMP
2170 '
2180 CMD$ = "TRIGGER:IMMEDIATE" ' THIS IS AN IMMEDIATE TRIGGER, WHICH IS ALWAYS
2190 L = LEN( CMD$ ) ' ACTIVE. THEREFORE, IT DOES NOT NEED TO BE
2200 CALL IOOUTPUTS( SLOTO, CMDS, L ) ' SELECTED AS A TRIGGER SOURCE.
2210 IF PCIB.ERR<>0 THEN ERROR PCIB.BASERR
2220 '
2230 END

```

```

1      ' MERGE "DECL.BAS" AS INSTRUCTED IN YOUR NATIONAL INSTRUMENTS GPIB-PC MANUAL
2      '
1000   ' APPLICATION #3: CONTROLLING VOLTAGE RAMP UP AT TURN ON
1010   ' FOR GWBASIC AND THE NATIONAL INSTRUMENTS GPIB-PC INTERFACE CARD
1020   ' PROGRAM: N3.BAS
1030   '
1040   ' CONFIGURE THE GPIB.COM HANDLER FOR THE FOLLOWING:
1050   '
1060   ' EOI ENABLED FOR BOTH READ AND WRITE
1070   ' DISABLE AUTO SERIAL POLL
1080   '
1090   ' INSTRUMENT.NAME$ = "SLOTO"
1100   CALL IBFIND( INSTRUMENT.NAME$, SLOTO% )
1110   ' IF SLOTO% < 0 THEN PRINT "COULDN'T FIND MODULE" : STOP
1120   '
1130   OPTION BASE 1
1140   VSTEP$ = ""           ' STRING TO HOLD THE VOLTAGE RAMP STEPS
1150   VSTART = 2           ' START VOLTAGE FOR RAMP
1160   VSTOP = 10           ' STOP VOLTAGE FOR RAMP
1170   RAMPTIME = .5       ' TIME IN SECONDS TO CHANGE FROM VSTART TO VSTOP
1180   DWELL = RAMPTIME / 19 ' DWELL TIME FOR EACH POINT
1190   '
1200   ' SINCE THE OUTPUT STAYS AT THE LAST VOLTAGE POINT AFTER ITS DWELL TIME EXPIRES, THE DWELL TIME OF THE
1210   ' LAST POINT IS NOT PART OF THE TRANSITION TIME. THEREFORE, DIVIDE THE TOTAL TIME BY 19 POINTS, NOT 20.
1220   ' YOU WANT THE SAME DWELL TIME FOR EVERY POINT IN THE LIST, SO YOU NEED TO DOWNLOAD ONLY 1 DWELL TIME.
1230   '
1240   ' SINCE THE NATIONAL INSTRUMENTS GPIB-PC WORKS WITH STRINGS, THE RAMP DATA MUST BE CONSOLIDATED INTO A
1250   ' SINGLE STRING WHICH CONTAINS ALL THE POINTS, SEPARATED BY COMMAS.
1260   '
1270   FOR I=1 TO 20
1280     VSTEP$ = VSTEP$ + STR$( VSTART + ((( VSTOP - VSTART ) / 20 * I)) ' MAKES THE STRING EQUIVALENTS OF THE
1290     ' IF I <> 20 THEN VSTEP$=VSTEP$+," ' VOLTAGE POINTS AND CONCATENATES THEM ONLY
1300     ' NEXT I ' BY A COMMA. THE LAST POINT IS NOT
1310     ' ' FOLLOWED BY A COMMA.
1320   '
1330   CMD$ = ""*RST;*CLS;STATUS:PRESET" ' RESET AND CLEAR MODULE
1340   CALL IBWRT( SLOTO%, CMD$ )
1350   ' IF IBSTA% < 0 THEN GOTO 1960
1360   '
1370   CMD$ = "VOLT " + STR$( VSTART ) ' START RAMP AT VSTART. USE NUMBER TO STRING
1380   CALL IBWRT( SLOTO%, CMD$ ) ' CONVERSION TO SEND REAL NUMBERS OVER THE BUS
1390   ' IF IBSTA% < 0 THEN GOTO 1960 ' AS PART OF THE COMMAND STRING.
1400   '
1410   CMD$ = "CURR .1"
1420   CALL IBWRT( SLOTO%, CMD$ )
1430   ' IF IBSTA% < 0 THEN GOTO 1960
1440   '
1450   CMD$ = "OUTPUT ON" ' ENABLE OUTPUT
1460   CALL IBWRT( SLOTO%, CMD$ )
1470   ' IF IBSTA% < 0 THEN GOTO 1960
1480   '
1490   CMD$ = "VOLT:MODE LIST" ' SET TO GET VOLTAGE FROM LIST
1500   CALL IBWRT( SLOTO%, CMD$ )
1510   ' IF IBSTA% < 0 THEN GOTO 1960
1520   '
1530   CMD$ = "LIST:VOLT " + VSTEP$ ' DOWNLOAD VOLTAGE LIST POINTS
1540   CALL IBWRT( SLOTO%, CMD$ )
1550   ' IF IBSTA% < 0 THEN GOTO 1960
1560   '
1570   CMD$ = "LIST:DWELL" + STR$(DWELL) ' DOWNLOAD 1 DWELL TIME. USE NUMBER TO STRING

```

```

1580 CALL IBWRT( SLOTO%, CMD$ )           ' CONVERSION TO SEND REAL NUMBERS OVER THE BUS
1590   IF IBSTA% < 0 THEN GOTO 1960      ' AS PART OF THE COMMAND STRING.
1600 '
1610 CMD$ = "LIST:STEP AUTO"             ' DWELL-PACED LIST
1620 CALL IBWRT( SLOTO%, CMD$ )
1630   IF IBSTA% < 0 THEN GOTO 1960
1640 '
1650 CMD$ = "INITIATE"                   ' ENABLE TRIGGER TO START LIST
1660 CALL IBWRT( SLOTO%, CMD$ )
1670   IF IBSTA% < 0 THEN GOTO 1960
1680 '
1690 ' BEFORE TRIGGERING THE MODULE, DETERMINE IF IT IS READY BY CHECKING FOR
1700 ' WAITING FOR TRIGGER' (BIT 5 OF THE OPERATION STATUS REGISTER).
1710 '
1720 ' YOU COULD ELIMINATE THIS STEP BY SIMPLY INSERTING A PAUSE IN THE PROGRAM. HOWEVER, BY
1730 ' CHECKING THE INSTRUMENT STATUS, YOU CAN AVOID TIMING PROBLEMS. ALSO, ANY OTHER OPERATIONS
1740 ' THAT TAKE TIME WILL GIVE THE MODULE A CHANCE TO COMPLETE PROCESSING.
1750 '
1760 CONDITION.DATAS$ = SPACE$(20)       ' RESERVE SPACE FOR READING IN STRING
1770 '
1780 WHILE ( (VAL( CONDITION.DATAS$ ) AND 32) <> 32) ' CONTINUE TO LOOP UNTIL BIT 5 (VALUE 32) = TRUE
1790   CMD$ = "STATUS:OPERATION:CONDITION?"
1800   CALL IBWRT( SLOTO%, CMD$ )
1810   IF IBSTA% < 0 THEN GOTO 1960
1820   CALL IBRD( SLOTO%, CONDITION.DATAS$ )
1830   IF IBSTA% < 0 THEN GOTO 1960
1840 WEND
1850 '
1860 ' SEND TRIGGER COMMAND TO START LIST AND GENERATE THE VOLTAGE RAMP
1870 '
1880 CMD$ = "TRIGGER:IMMEDIATE"           ' THIS IS AN IMMEDIATE TRIGGER, WHICH IS ALWAYS
1890 CALL IBWRT( SLOTO%, CMD$ )           ' ACTIVE THEREFORE, IT DOES NOT NEED TO BE
1900   IF IBSTA% < 0 THEN GOTO 1960      ' SELECTED AS A TRIGGER SOURCE.
1910 '
1920 STOP
1930 '
1940 ' GENERAL ERROR HANDLER
1950 '
1960 PRINT "GPIB function call error: "
1970 PRINT "IBSTA% ="; IBSTA%, "IBERR% ="; IBERR% "IBCNT% = "; IBCNT%
1980 '
1990 END

```

```

/* APPLICATION #3: CONTROLLING VOLTAGE RAMP UP AT TURN ON
   FOR MICROSOFT C AND THE Agilent 61062/82990/82335A GPIB COMMAND LIBRARY FOR MS-DOS PROGRAM: Agilent3.C

#include <stdio.h>
#include <stdlib.h>
#include <string.h>
#include "chplib.h"
#include "cfunc.h"

#define INTERFACE 7L          /* Select code 7 for the Agilent -1B interface card. */
#define SLOTO      70500L    /* Select code 7, mainframe address 05, slot 00. */
#define WTG        32       /* Waiting for Trigger (WTG) = bit 5 = value 32. */
#define NUM_PTS    20       /* 20 points in the voltage List. */

int error;

main()
{
    char *cmd;                /* Used to hold command strings sent to the module. */
    char cmd_buff[255];       /* Used to hold command strings during string manipulations. */
    static char cr_lf[3] = { 13, 10, 0 }; /* Carriage return+line feed = end of line. */
    int i;                    /* Loop counter. */
    float condition_data;     /* Used to hold data from read back of status conditions. */
    float vstart = 2.0;       /* Start voltage for the ramp. */
    float vstop = 10.0;       /* Stop voltage for the ramp. */
    float vstep[NUM_PTS];     /* Used to hold voltage List points for the ramp. */
    float ramptime = 0.5;     /* Transition time (in seconds) for the ramp. */
    float dwell;              /* Dwell time (in seconds) for each ramp step. */
    dwell = ramptime / 19.0;  /* Since the output stays at the last voltage point after its dwell
                               time expires, the dwell time of the last point is not part of the transition time.
                               Therefore, divide the total time by 19 points, not 20. You want the same dwell
                               time for every point in the List, so only download 1 dwell time. */

    for (i = 1; i <= NUM_PTS; i++) /* Calculate the voltage List points */
        vstep[i] = vstart + (((vstop - vstart) / NUM_PTS) * i);

    error = ioreset(INTERFACE); /* To get the interface to its defaults. */
    error_handler(error, "Resetting the interface");

    error = iotimeout(INTERFACE, (double)2.0); /* Enables timeout of 2 seconds. */
    error_handler(error, "Setting the timeout");

    /* Note regarding GPIB read/write terminations:

       The default of the interface card is that EOI is enabled and the read/writes terminate on carriage return/line feed. The module terminates
       on either EOI or Line feed, so the default settings of the card are sufficient. */

    cmd = "**RST;*CLS:STATUS:PRESET"; /* Reset and clear module. */
    error = iooutputs(SLOTO, cmd, strlen(cmd));
    error_handler(error, cmd);

    sprintf(cmd_buff, "VOLT %f", vstart); /* Start ramp at vstart. Use number to string */
    error = iooutputs(SLOTO, cmd_buff, strlen(cmd_buff)); /* conversion to send real numbers over the */
    error_handler(error, cmd_buff); /* bus as part of the command string. */

    cmd = "CURR .1";
    error = iooutputs(SLOTO, cmd, strlen(cmd));
    error_handler(error, cmd);

    cmd = "OUTPUT ON"; /* Enable output */

```

```

error = iooutputs(SLOTO, cmd, strlen(cmd));
    error_handler(error, cmd);

cmd = "VOLT:MODE LIST";           /* Set to get voltage from List */
error = iooutputs(SLOTO, cmd, strlen(cmd));
    error_handler(error, cmd);

real
/* Sending voltage data points requires two steps using the Agilent -1B Command Library. The instruction contains both string data and a
   array. First, send the string data command header "LIST:VOLT " to the module using iooutputs. Then, send the real array using iooutputa.
   However, you must inhibit the EOI and End-of-Line terminator after the iooutputs or the module will stop taking data. Then, re-enable them
   to terminate the iooutputa. */

error = ioeoi(INTERFACE, 0);      /* Turn off EOI */
    error_handler(error, "Disabling EOI");

error = ioeol(INTERFACE, "", 0);  /* Turn off End-of-Line termination */
    error_handler(error, "Disabling EOI");

cmd = "LIST:VOLT ";              /* First send the voltage header (string) ... */
error = iooutputs(SLOTO, cmd, strlen(cmd));
    error_handler(error, cmd);

error = ioeoi(INTERFACE, 1);     /* Turn on EOI */
    error_handler(error, "Enabling EOI");

error = ioeol(INTERFACE, cr_lf, strlen(cr_lf)); /* Turn on End-of-Line termination */
    error_handler(error, "Enabling EOL");

error = iooutputa(SLOTO, &vstep[1], NUM_PTS); /* Download voltage points (array), starting */
    error_handler(error, "Voltage List Array"); /* with the element 1, not 0. */

sprintf(cmd_buff, "LIST:DWELL %f", dwell); /* Download 1 dwell time. Use number to */
error = iooutputs(SLOTO, cmd_buff, strlen(cmd_buff)); /* string conversion to send the real */
    error_handler(error, cmd_buff); /* number over the bus as part of the */
    /* command string. */

cmd = "LIST:STEP AUTO";          /* Dwell-paced List */
error = iooutputs(SLOTO, cmd, strlen(cmd));
    error_handler(error, cmd);

cmd = "INITIATE";                /* Enable trigger to start List
error = iooutputs(SLOTO, cmd, strlen(cmd));
    error_handler(error, cmd);

/* Before triggering the module, determine if it is ready by checking for
   'Waiting for Trigger' (bit 5 of the Operation Status Register).

   You could eliminate this step by simply inserting a pause in the program. However, by checking the instrument status,
   you can avoid timing problems. Also, any other operations that take time will give the module a chance to complete processing. */

do {

    cmd = "STATUS:OPERATION:CONDITION?";
    error = iooutputs(SLOTO, cmd, strlen(cmd));
        error_handler(error, cmd);

error = ioenter(SLOTO, &condition_data); /* You must convert float to integer */
error_handler(error, "Read back of status"); /* to do an integer bit test. */

```



```

} while (((int)condition_data && WTG) == 0);      /* Loop until bit 5 (value 32) is true. */

/* Send trigger command to start List and generate the voltage ramp. */

cmd = "TRIGGER:IMMEDIATE";                      /* This is an immediate trigger, which is always */
error = iooutputs(SLOTO, cmd, strlen(cmd));     /* active. Therefore, it does not need to be */
error_handler(error, cmd);                      /* selected as a trigger source. */

}
error_handler(error,bad_string)                  /* This is a generalized error checking routine. */

int error;
char *bad_string;

{
    if (error != 0) {

        printf("Agilent -1B error while sending or receiving '%s'.\n", bad_string);
        printf("Error #: %d - - %s\n", error, strerror(error));
    }
}

```

```

/* APPLICATION #3: CONTROLLING VOLTAGE RAMP UP AT TURN ON,
   FOR MICROSOFT C AND THE NATIONAL INSTRUMENTS GPIB-PC INTERFACE CARD
   PROGRAM: N3.C

```

```

Configure the GPIB.COM handler for the following:

```

```

EOI enabled for both read and write
Disable auto serial poll */

```

```

#include <stdio.h>
#include <stdlib.h>
#include <string.h>
#include "decl.h"

```

```

#define ERR      (1<<15)      /* Error detected as bit 15 of ibsta. */
#define NUM_PTS 20           /* The number of points in the voltage List. */
#define MAX_LEN 255         /* Maximum length of a string = 255 characters.*/
#define SMALL_STRING 15     /* When you need a small string of 15 characters. */
#define WTG 32              /* Waiting for Trigger (WTG) = bit 5 = value 32 */

```

```

int slot0;                  /* Device number of module in slot 0. Slot0 is configured in GPIB.Com as
                           GPIB address 5, secondary address 96. */

```

```

main()
{

```

```

    char *cmd;              /* Used to hold command strings sent to the module. */
    char cmd_buff[MAX_LEN]; /* Used to hold command strings during string manipulations. */
    char vpoint[SMALL_STRING]; /* Used to hold the string equivalent of one voltage ramp step. */
    char vlist[MAX_LEN];    /* Used to hold the entire voltage List command header and points. */
    char condition_data[SMALL_STRING]; /* Reserve space for reading back status conditions. */
    int i;                  /* Loop counter. */
    float vstart = 2.0;     /* Start voltage for the ramp. */
    float vstop = 10.0;    /* Stop voltage for the ramp. */
    float ramptime = 0.5;   /* Transition time for the ramp. */
    float dwell;           /* Dwell time for each ramp step. */
    dwell = ramptime / 19.0; /* Since the output stays at the last voltage point after its
                               dwell expires, the dwell time of the last point is not part of the
                               transition time. Therefore, divide the total time by 19 points, not 20.
                               You want the same dwell time for every point in the List, so only
                               download 1 dwell time. */

```

```

    if ((slot0 = ibfind("SLOT0")) < 0) /* Assign unique identifier to the device slot0 and store in */
        finderr();                    /* variable slot0. Error = negative value returned. */

```

```

    cmd = "**RST;*CLS;STATUS:PRESET"; /* Reset and clear module. */
    ibwrt(slot0, cmd, strlen(cmd));
    if (ibsta & ERR)
        error(cmd);

```

```

    sprintf(cmd_buff, "VOLT %f", vstart); /* Start ramp at vstart. Use number to string conversion to send */
                                           /* real numbers over the bus as part of the command string. */
    ibwrt(slot0, cmd_buff, strlen(cmd_buff));
    if (ibsta & ERR)
        error(cmd_buff);

```

```

    cmd = "CURR .1";
    ibwrt(slot0, cmd, strlen(cmd));
    if (ibsta & ERR)
        error(cmd);

```

```

    cmd = "OUTPUT ON"; /* Enable output */
    ibwrt(slot0, cmd, strlen(cmd));
    if (ibsta & ERR)
        error(cmd);

```

```

cmd = "VOLT:MODE LIST";          /* Set to get voltage from List */
ibwrt(slot0, cmd, strlen(cmd));
if (ibsta & ERR)
    error(cmd);

strcpy(vlist, "LIST:VOLT ");    /* Start with the command header for the voltage List. */

for (i = 1; i < NUM_PTS; i++) { /* The Loop calculates the string */
    sprintf(vpoint, "%f ", vstart+(((vstop - vstart) / NUM_PTS) * i)); /* equivalents of the voltage List */
    strcat(vlist, vpoint);      /* points and concatenates them for */
}                               /* only the first 19 because there */
                               /* should not be comma after the */
sprintf(vpoint, "%f", vstop);  /* last point. Do the last point */
strcat(vlist, vpoint);        /* separately with no comma. */

ibwrt(slot0, vlist, strlen(vlist)); /* Download voltage List points */
if (ibsta & ERR)
    error(vlist);

sprintf(cmd_buff, "LIST:DWELL %f", dwell); /* Download 1 dwell time. Use number to */
ibwrt(slot0, cmd_buff, strlen(cmd_buff)); /* string conversion to send the real */
if (ibsta & ERR)                          /* number over the bus as part of the */
    error(cmd_buff);                       /* command string. */

cmd = "LIST:STEP AUTO";          /* Dwell-paced List */
ibwrt(slot0, cmd, strlen(cmd));
if (ibsta & ERR)
    error(cmd);

cmd = "INITIATE";               /* Enable trigger to start List */
ibwrt(slot0, cmd, strlen(cmd));
if (ibsta & ERR)
    error(cmd);

/* Before triggering the module, determine if it is ready by checking for
   'Waiting for Trigger' (bit 5 of the Operation Status Register).

   You could eliminate this step by simply inserting a pause in the program. However, by checking the instrument status, you can avoid
   timing problems. Also, any other operations that take time will give the module a chance to complete processing. */

do
{
    cmd = "STATUS:OPERATION:CONDITION?";
    ibwrt(slot0, cmd, strlen(cmd));
    if (ibsta & ERR)
        error(cmd);

    ibrd(slot0, condition_data, SMALL_STRING); /* Allow to read SMALL_STRING bytes, which is more */
    if (ibsta & ERR)                          /* than enough. Note that first byte will be a + sign, */
        error(condition_data);               /* so you must convert the string to float, then to int, */
                                             /* to do an integer bit test. */

} while (((int)(atof(condition_data)) && WTG) == 0); /* Loop until WTG = bit 5 (value 32) is true. */

/* Send trigger command to start List and generate the voltage ramp. */

cmd = "TRIGGER:IMMEDIATE";      /* This is an immediate trigger, which is always */
ibwrt(slot0, cmd, strlen(cmd)); /* active. Therefore, it does not need to be */
if (ibsta & ERR)                /* selected as a trigger source. */
    error(cmd);

```

```

}

firiderr()                                /* Indicates that ibfind failed */
{
    printf("Ibfind error: Does device name given match configuration name?\n");
}

error(bad_string)                          /* This is a generalized error checking routine. */
char *bad_string;

{
    printf("GPIB error while sending or receiving '%s'.\n", bad_string);
    printf("GPIB status: ibsta = 0x%x, iberr = 0x%x, ibcnt = 0x%x\n", ibsta, iberr, ibcnt);
}

```

Index

A

<AARD> 15
ANSI/IEEE, 7-8, 23, 51, 54, 64

C

CAL bit, 43, 52
calibration password, 33
CC bit, 43, 50, 52, 56
commands
 common, 10, 14, 23, 24
 completion, 64
 diagram (see tree diagram)
 overlapped, 26, 64
 related, 23
CME bit, 25, 52
<CRD>, 15
CV bit, 43, 50, 52, 55

D

data
 boolean, 15
 character, 15
 multiplier, 15
 numerical, 14
 suffix, 15
DCL command, 27, 31
DDE bit, 25, 52
default state (see *RST state)
DFI output, 49, 62
DWE bit, 52, 56, 59
DOS driver, 16

E

error queue, 24, 46
error messages
 runtime, 65
 selftest, 31, 65
 system, 65
ESB bit, 25, 30, 50, 52, 55
event handle, 49, 54
EXE bit, 25, 52

F

factory-default state (see *RST state)
FLT output (see DFI)

G

<GET>,	31, 47
GWBASIC,	17, 20

H

header,	11
conventions,	12
long form,	11
optional,	12, 13
path,	13
separator,	12
short form,	11
GPIB address	
primary,	9, 11, 17, 18
secondary,	9, 17, 18
setting,	9
Agilent BASIC,	17, 18, 19
GPIB capabilities,	9

I

IEEE (see ANSI/IEEE)	
INH input (see RI)	
implied ABORT,	28, 37, 60
interrupt, source of,	54

K

keyboard operation (see User's Guide)	
keyword (see header)	

L

language, SCPI (see SCPI)	
link parameters,	50
local lockout command,	7
local sense switch,	48
list,	61
commands,	35, 37, 38, 39, 48
dwell-paced,	62
intervals,	61
programming,	61
sequencing,	61
trigger-paced,	62
LSC pulse,	49, 59

M

manuals, Series 66lxxA,	7
MAV bit,	30, 50, 52, 54
message terminator,	12
message unit,	10

message unit separator,	12
message units, combining,	10
Microsoft C,	18, 19
module identification,	26
module options,	27
MSS bit,	29, 30, 52, 54

N

National Instruments DOS driver,	18
non-SCPI commands,	67
nonvolatile memory,	26, 28, 29, 30
<NRF>,	15
<NRF+>,	15

O

OC bit,	36, 41, 45, 56
OCP,	36, 41
OPC bit,	25, 26, 41, 52, 63, 72, 74
OPER bit,	30, 45, 50, 52, 55, 56
OT bit,	41, 45, 52, 56
output queue,	27, 54
overcurrent protection (see OCP)	
overlapped commands,	26, 63
overvoltage protection (see OVP)	
OV bit,	45, 50, 52

P

parallel commands (see commands, overlapped)	
parameters,	23, 24, 31, 50
passcode, calibration (see calibration password)	
pending operations,	27, 31
PON bit,	25, 52, 55
power-on status (see *RST state)	
primary address (see GPIB address)	
program message,	10
programming voltage,	77, 78
PSC,	25, 27, 54

Q

query,	12, 23
QUES bit,	30, 45, 50, 52
QYE bit,	25, 52

R

reading registers,	55
recalled parameters,	28
reference documents,	7
remote inhibit (see RI)	
remote sense switch,	49

reset, parameters,	50
reset state (see *RST state)	
response message,	10
RI	
configuration switch for (see Chapter 2 in User's Guide)	
description of,	62
digital connector pins for (see Chapter 3 in Installation Guide)	
examples of use (see Chapter 4 in User's Guide)	
example of wiring (see Chapter 3 in Installation Guide)	
RI Questionable Status bit,	41, 45, 52
signal electrical characteristics (see Chapter 1 in Installation Guide)	
root specifier,	12
RQS bit,	29, 30, 52, 53, 55
*RST state,	28, 50
RTG pulse,	50, 60, 63

S

saved parameters,	29
SCPI,	9
confirmed commands,	67
version,	49, 67
secondary address (see GPIB address)	
sequential commands,	63
serial poll,	4-3
SETUP.BAS,	2-8
SRQ,	27, 30, 54, 55
STC pulse,	43, 50, 60
STS pulse,	49, 60, 63
SUM3 bit,	49

T

TDC pulse,	49, 60, 63
tree diagram,	31-32
Trigger In,	60
trigger	
delay,	58
fixed mode,	58
initiating,	58
list mode,	58, 59
Trigger Out,	60
fixed,	58
list,	59

U

units (see data suffix)	
UNR bit,	45, 52

W

WTG bit,	32, 43, 47, 52, 59, 105
----------------	-------------------------

Agilent Sales and Support Offices

For more information about Agilent Technologies test and measurement products, applications, services, and for a current sales office listing, visit our web site: <http://www.agilent.com/find/tmdir>

You can also contact one of the following centers and ask for a test and measurement sales representative.

United States:

Agilent Technologies
Test and Measurement Call Center
P.O. Box 4026
Englewood, CO 80155-4026
(tel) 1 800 452 4844

Latin America:

Agilent Technologies
Latin American Region Headquarters
5200 Blue Lagoon Drive, Suite #950
Miami, Florida 33126
U.S.A.
(tel) (305) 267 4245
(fax) (305) 267 4286

Canada:

Agilent Technologies Canada Inc.
5150 Spectrum Way
Mississauga, Ontario
L4W 5G1
(tel) 1 877 894 4414

Australia/New Zealand:

Agilent Technologies Australia Pty Ltd
347 Burwood Highway
Forest Hill, Victoria 3131
(tel) 1-800 629 485 (Australia)
(fax) (61 3) 9272 0749
(tel) 0 800 738 378 (New Zealand)
(fax) (64 4) 802 6881

Europe:

Agilent Technologies
Test & Measurement European Marketing Organisation
P.O. Box 999
1180 AZ Amstelveen
The Netherlands
(tel) (31 20) 547 9999

Asia Pacific:

Agilent Technologies
24/F, Cityplaza One, 1111 King's Road,
Taikoo Shing, Hong Kong
tel: (852)-3197-7777
fax: (852)-2506-9284

Japan:

Agilent Technologies Japan Ltd.
Measurement Assistance Center
9-1, Takakura-Cho, Hachioji-Shi,
Tokyo 192-8510, Japan
(tel) (81) 426 56 7832
(fax) (81) 426 56 7840

Technical data is subject to change.

Manual Updates

The following updates have been made to this manual since the print revision indicated on the title page.

4/15/00

All references to HP have been changed to Agilent.

All references to HP-IB have been changed to GPIB.

Information about *VXIPlug&Play* instrument drivers has been added to chapter 1.